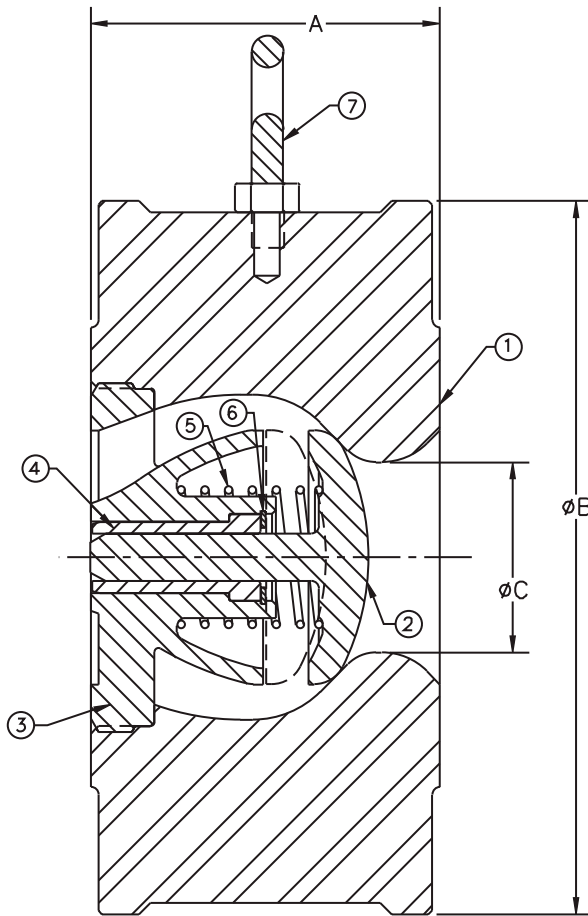




# Crown Wafer Nozzle Check Valves

## Fig. PW-50 (Raised Face)



### Design and Construction Features:

- non-slam design
- quick closing
- short end-to-end length
- light weight
- low pressure drop
- suitable for low and high pressure applications
- metal-to-metal sealing
- maintenance free
- horizontal or vertical flow-up service
- can be special ordered for vertical flow down
- suitable for compressor and pump applications
- standard design suitable for dry, clean gas service
- additional design/materials available for water or oil application
- designed per API 6D/ISO 14313, ASME B16.34, ASME Section VIII, and CSA Z245.15
- complies with NACE MR0175\*
- marked and monogrammed per API 6D

\* Consult manufacturer for application specific compliance.

### Parts List

No.	Part	Material
1	Body	A350 LF2
2	Piston	A564 Type 630 (17-4PH) / A487 CA6NM
3	Diffuser	A352 LCC
4	Bushing	A276 316
5	Spring	Alloy steel
6	Snap ring	Alloy steel
7	Eye Bolt	Steel

#### Notes:

- 1) Operating temperature: -50° to 600° F (-45° to 315° C).
- 2) Alternate materials/designs are available for application other than dry, clean gas.



# Crown Wafer Nozzle Check Valves

## Fig. PW-50 (Raised Face)

Size in. (DN)	Class (PN)	Weight lbs (kg)	Body Length "A" in. (mm)	Body O.D. "B" in. (mm)	Body Bore "C" in. (mm)	No. Stud Bolts	Stud Bolt Size in.	Stud Length in. (mm)
2" (50)	150 (20)	7 (3.2)	2.38 (60)	4.13 (105)	1.50 (38)	4	5/8	5.75 (146)
	300 (50)	8 (3.6)	2.38 (60)	4.38 (111)	1.50 (38)	8	5/8	6.00 (152)
	600 (100)	8 (3.6)	2.38 (60)	4.38 (111)	1.50 (38)	8	5/8	6.75 (171)
	900 (150)	17 (7.7)	2.75 (70)	5.63 (143)	1.50 (38)	8	7/8	8.75 (222)
	1500 (250)	17 (7.7)	2.75 (70)	5.63 (143)	1.50 (38)	8	7/8	8.75 (222)
3" (80)	150 (20)	14 (6.4)	2.88 (73)	5.38 (137)	2.44 (62)	4	5/8	6.50 (165)
	300 (50)	17 (7.7)	2.88 (73)	5.88 (149)	2.44 (62)	8	3/4	7.25 (184)
	600 (100)	17 (7.7)	2.88 (73)	5.88 (149)	2.44 (62)	8	3/4	8.00 (203)
	900 (150)	26 (11.8)	3.25 (83)	6.63 (143)	2.44 (62)	8	7/8	9.25 (235)
	1500 (250)	29 (13.2)	3.25 (83)	6.88 (175)	2.44 (62)	8	1 1/8	10.50 (267)
4" (100)	150 (20)	23 (10.4)	3.13 (79) *	6.88 (175)	3.38 (86)	8	5/8	6.75 (171)
	300 (50)	26 (11.8)	3.13 (79) *	7.13 (181)	3.38 (86)	8	3/4	7.75 (197)
	600 (100)	31 (14.1)	3.13 (79)	7.63 (111)	3.38 (86)	8	7/8	9.00 (229)
	900 (150)	45 (20.4)	4.00 (102)	8.13 (206)	3.38 (86)	8	1 1/8	11.00 (279)
	1500 (250)	47 (21.4)	4.00 (102)	8.25 (210)	3.38 (86)	8	1 1/4	12.00 (305)
6" (150)	150 (20)	51 (23.2)	5.38 (137) *	8.75 (222)	5.06 (129)	8	3/4	9.50 (241)
	300 (50)	76 (34.5)	5.38 (137) *	9.88 (251)	5.06 (129)	12	3/4	10.25 (260)
	600 (100)	91 (41.4)	5.38 (137)	10.50 (267)	5.06 (129)	12	1	12.25 (311)
	900 (150)	132 (60.0)	6.25 (159)	11.38 (289)	5.06 (129)	12	1 1/8	14.00 (356)
	1500 (250)	124 (56.4)	6.25 (159)	11.13 (283)	5.06 (129)	12	1 3/8	16.75 (425)
8" (200)	150 (20)	111 (50.5)	8.13 (207) *	10.88 (276)	6.75 (171)	8	3/4	12.50 (318)
	300 (50)	158 (71.8)	8.13 (207) *	12.00 (305)	6.75 (171)	12	7/8	13.75 (349)
	600 (100)	186 (84.4)	8.13 (207) *	12.63 (321)	6.75 (171)	12	1 1/8	16.00 (406)
	900 (150)	258 (117.0)	8.13 (207)	14.13 (359)	6.75 (171)	12	1 3/8	17.00 (432)
	1500 (250)	246 (111.8)	8.13 (207)	13.88 (352)	6.75 (171)	12	1 5/8	20.00 (508)
10" (250)	150 (20)	195 (88.5)	9.50 (241) *	13.25 (337)	8.10 (206)	12	7/8	14.25 (362)
	300 (50)	246 (111.6)	9.50 (241) *	14.13 (359)	8.10 (206)	16	1	16.00 (406)
	600 (100)	336 (152.4)	9.50 (241) *	15.63 (397)	8.10 (206)	16	1 1/4	18.25 (464)
	900 (150)	429 (194.6)	9.50 (241)	17.00 (432)	8.10 (206)	16	1 3/8	19.00 (483)
	1500 (250)	445 (202.3)	9.75 (248)	17.00 (432)	8.10 (206)	16	1 7/8	23.25 (591)
12" (300)	150 (20)	350 (158.8)	11.50 (292) *	16.13 (410)	9.75 (248)	12	7/8	16.50 (419)
	300 (50)	392 (177.7)	11.50 (292) *	16.50 (419)	9.75 (248)	16	1 1/8	18.50 (470)
	600 (100)	507 (229.9)	11.50 (292) *	17.88 (457)	9.75 (248)	20	1 1/4	20.50 (521)
	900 (150)	661 (299.8)	11.50 (292)	19.50 (454)	9.75 (248)	20	1 3/8	21.75 (552)
	1500 (250)	795 (361.4)	12.00 (305)	20.38 (518)	9.75 (248)	20	2	27.25 (692)

\* Special Face-to-Face Dimension