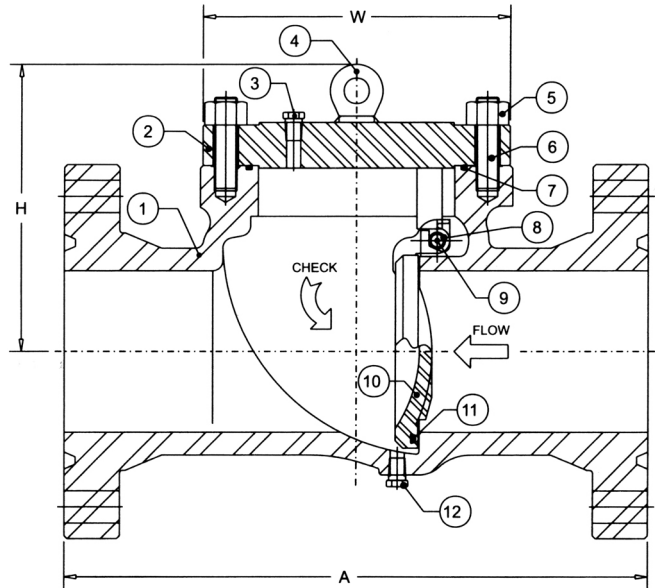

**ANSI Class Flanged End  
Fig. 50 (RF) Fig. 51 (RTJ)**

**ANSI Class Flanged - Parts List**

No.	Part	Material
1	Body <sup>(1)</sup>	ASTM A-216-WCB/WCC <sup>(2)</sup>
2	Cover	ASTM A-516-70/ASTM A-105/ASTM-350-LF2
3	Vent plug	ASTM A-105
4	Lifting eye/lug <sup>(3)</sup>	ASTM A-105/A-516-70
5	Cover nut <sup>(4)(5)</sup>	ASTM A-194-2H (2"-12") <sup>(8)</sup>
6	Cover stud <sup>(4)(5)</sup>	ASTM A-193-B7
7	Cover seal <sup>(6)</sup>	BUNA N (2"-12") <sup>(8)</sup>
8	Clapper bushing	stainless steel
9	Clapper pin	stainless steel
10	Clapper	ASTM A-105/ASTM A-350-LF2 ASTM A-487-4C/ASTM A-216-WCB ASTM A-351-CF8M ASTM A-352-LCC (8" and larger)
11	Clapper seal <sup>(6)</sup>	BUNA N (2"-12") <sup>(8)</sup>
12	Drain plug <sup>(7)</sup>	ASTM A-105

**Notes:**

- (1) For some larger sizes, valve body is manufactured with welded on flanges.
- (2) ASTM A-352-LCC for low temperature service; ASTM A-487-4C for high pressure valves.
- (3) For valves 6" and larger.
- (4) For low temperature service (-50°F), material for stud/nut will be ASTM-A320-L7/A-194 Gr. 4.
- (5) For sour (NACE) service, material for stud/nut will be ASTM A-193-B7M/A-194-2HM for standard temperatures (-20°F) and ASTM A-320-L7M/A-194-7M for low temperatures (-50°F).
- (6) For sour (NACE) service, cover and clapper seal material will be Viton<sup>®</sup> or like material.
- (7) Optional drain plug is for valves 6" and larger.
- (8) Consult factory for 14" and larger.

*Viton is a registered trademark of DuPont Dow Elastomers*

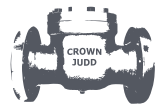


**ANSI Class Flanged End  
Fig. 50 (RF) Fig. 51 (RTJ)**

**Schedule of Dimensions**

Valve Size in. (mm.)	ANSI Class	“A” in. (mm.)		“H” in. (mm.)	“W” in. (mm.)	Weight lbs. (kg.)
		Type 50(RF)	Type 51(RTJ)			
1 (25)	150	8.50 (215.9)*	8.50 (215.9)*	4.44 (112.8)	4.88 (123.9)	22 (10)
	300	8.50 (215.9)	8.50 (215.9)	4.44 (112.8)	4.88 (123.9)	25 (11)
	600	8.50 (215.9)	8.50 (215.9)	4.44 (112.8)	4.88 (123.9)	25 (11)
	900	10.00 (254.0)	10.00 (254.0)	4.75 (120.7)	5.88 (149.4)	39 (18)
	1500	10.00 (254.0)	10.00 (254.0)	5.00 (127.0)	5.88 (149.4)	39 (18)
1½ (38)	150	8.00 (203.2)*	8.00 (203.2)*	3.69 (93.7)	5.00 (127.0)	14 (6)
	300	8.88 (225.6)*	8.88 (225.6)*	3.69 (93.7)	6.13 (155.7)	22 (10)
	600	9.50 (241.3)	9.50 (241.3)	3.69 (93.7)	6.13 (155.7)	27 (12)
	900	12.00 (304.8)	12.00 (304.8)	4.38 (111.3)	7.00 (177.8)	32 (15)
2 (50)	150	8.00 (203.2)	8.50 (215.9)	5.53 (140.5)	6.13 (155.7)	36 (16)
	300	10.50 (266.7)	11.13 (282.7)	5.53 (140.5)	6.50 (165.1)	46 (21)
	600	11.50 (292.1)	11.63 (295.4)	5.53 (140.5)	6.50 (165.1)	47 (21)
	900	14.50 (368.3)	14.63 (371.6)	7.13 (181.1)	8.50 (215.9)	79 (36)
	1500	14.50 (368.3)	14.63 (371.6)	7.69 (195.3)	8.50 (215.9)	110 (50)
	2500	17.75 (450.9)	17.88 (454.2)	7.88 (200.2)	9.25 (234.9)	140 (64)
3 (80)	150	9.50 (241.3)	10.00 (254.0)	5.78 (146.8)	7.50 (190.5)	58 (26)
	300	12.50 (317.5)	13.13 (333.5)	6.03 (153.2)	8.25 (209.6)	76 (34)
	600	14.00 (355.6)	14.13 (358.9)	7.13 (181.1)	8.38 (212.8)	90 (45)
	900	15.00 (381.0)	15.13 (384.3)	7.50 (190.5)	9.50 (241.3)	110 (50)
	1500	18.50 (469.9)	18.63 (473.2)	8.63 (219.2)	10.50 (266.7)	165 (75)
	2500	22.75 (577.9)	23.00 (584.2)	9.50 (241.3)	12.00 (304.8)	205 (93)
4 (100)	150	11.50 (292.1)	12.00 (304.8)	7.44 (188.9)	9.13 (231.9)	88 (40)
	300	14.00 (355.6)	14.63 (371.6)	7.25 (184.2)	10.00 (254.0)	126 (57)
	600	17.00 (431.8)	17.13 (435.1)	8.13 (206.5)	10.75 (273.1)	161 (73)
	900	18.00 (457.2)	18.13 (460.5)	9.13 (231.9)	11.50 (292.1)	190 (86)
	1500	21.50 (546.1)	21.63 (549.4)	10.06 (255.5)	12.25 (311.2)	285 (129)
	2500	26.50 (673.1)	26.88 (682.8)	12.88 (327.2)	14.00 (355.6)	583 (265)
6 (150)	150	14.00 (355.6)	14.50 (368.3)	10.56 (268.2)	11.13 (282.7)	150 (68)
	300	17.50 (444.5)	18.13 (460.5)	11.06 (280.9)	12.50 (317.5)	210 (95)
	600	22.00 (558.8)	22.13 (562.1)	11.94 (303.3)	14.00 (355.6)	340 (154)
	900	24.00 (609.6)	24.13 (612.9)	12.50 (317.5)	15.00 (381.0)	400 (181)
	1500	27.75 (704.9)	28.00 (711.2)	14.31 (363.5)	15.50 (393.7)	525 (238)
8 (200)	150	19.50 (495.3)	20.00 (508.0)	14.25 (361.9)	14.00 (355.6)	285 (129)
	300	21.00 (533.4)	21.63 (549.4)	14.75 (374.7)	15.00 (381.0)	325 (147)
	600	26.00 (660.4)	26.13 (663.7)	15.25 (387.4)	16.50 (419.1)	570 (259)
	900	29.00 (736.6)	29.13 (739.9)	15.75 (400.1)	18.50 (469.9)	725 (329)
	1500	32.75 (831.9)	33.13 (841.5)	16.88 (428.8)	19.00 (482.6)	995 (451)
10 (250)	150	24.50 (622.3)	25.00 (635.0)	16.31 (414.3)	17.00 (431.8)	600 (272)
	300	24.50 (622.3)	25.13 (638.3)	16.31 (414.3)	17.50 (444.5)	750 (340)
	600	31.00 (787.4)	31.13 (790.7)	17.13 (435.1)	20.00 (508.0)	925 (420)
	900	33.00 (838.2)	33.13 (841.5)	17.88 (454.2)	21.50 (546.1)	1100 (499)
	1500	39.00 (990.6)	39.38 (1000.3)	23.44 (595.4)	26.88 (682.8)	1700 (771)

Weight and dimensional information is for reference only and subject to change.  
\* Indicates dimensions not in series



## ANSI Class Flanged End Fig. 50 (RF) Fig. 51 (RTJ)

### Schedule of Dimensions

Valve Size in. (mm.)	ANSI Class	"A" in. (mm.)				"H" in. (mm.)	"W" in. (mm.)	Weight lbs. (kg.)
		Type 50(RF)		Type 51(RTJ)				
12 (300)	150	27.50 (698.5)	28.00 (711.2)	18.56 (471.4)	19.50 (495.3)	920 (417)		
	300	28.00 (711.2)	28.63 (727.2)	19.31 (490.5)	20.50 (520.7)	1050 (476)		
	600	33.00 (838.2)	33.13 (841.5)	20.13 (511.3)	22.00 (558.8)	1375 (624)		
	900	38.00 (965.2)	38.13 (968.5)	20.75 (527.1)	24.00 (609.6)	1800 (817)		
14 (350)	150	31.00 (787.4)	31.50 (800.1)	22.38 (568.5)	26.25 (666.8)	1500 (681)		
	300	33.00 (838.2)	33.63 (854.2)	22.38 (568.5)	26.25 (666.8)	1750 (794)		
	600	35.00 (889.0)	35.13 (892.3)	22.38 (568.5)	26.25 (666.8)	2200 (998)		
	900	40.50 (1028.7)	40.88 (1038.4)	23.94 (608.1)	28.63 (727.2)	2500 (1134)		
	1500	49.50 (1257.3)	50.25 (1276.4)	26.94 (684.3)	31.88 (809.8)	3350 (1520)		
16 (400)	150	34.00 (863.6)	34.50 (876.3)	19.19 (487.4)	26.63 (676.4)	1600 (726)		
	300	34.00 (863.6)	34.50 (876.3)	20.50 (520.7)	26.63 (676.4)	1800 (817)		
	600	39.00 (990.6)	39.13 (993.9)	24.25 (615.9)	29.50 (749.3)	2400 (1089)		
	900	44.50 (1130.3)	44.88 (1139.9)	25.75 (654.1)	31.75 (806.5)	2700 (1225)		
18 (450)	150	38.50 (977.9)	39.00 (990.6)	24.63 (625.6)	26.00 (660.4)	1800 (816)		
	300	38.50 (977.9)	39.13 (993.9)	24.63 (625.6)	26.00 (660.4)	2200 (998)		
	600	43.00 (1092.2)	43.13 (1095.5)	24.88 (631.9)	27.00 (685.8)	3000 (1361)		
20 (500)	150	38.50 (977.9)	39.00 (990.6)	26.69 (677.9)	30.75 (781.1)	2978 (1351)		
	300	40.00 (1016.0)	40.75 (1035.1)	25.25 (641.4)	30.50 (774.7)	3127 (1419)		
	600	47.00 (1193.8)	47.25 (1200.2)	28.13 (714.5)	32.00 (812.8)	4624 (2098)		
	900	52.00 (1320.8)	52.50 (1333.5)	32.50 (825.5)	38.25 (971.6)	5635 (2557)		
24 (600)	150	51.00 (1295.4)	51.50 (1308.1)	30.44 (773.2)	35.75 (908.1)	4280 (1941)		
	300	53.00 (1346.2)	53.88 (1368.6)	33.63 (854.2)	36.00 (914.4)	4630 (2101)		
	600	55.00 (1397.0)	55.38 (1406.7)	33.63 (854.2)	37.00 (939.8)	6750 (3062)		
	900	61.00 (1549.4)	61.75 (1568.5)	37.31 (947.7)	41.25 (1047.8)	8100 (3675)		
26 (650)	150	51.00 (1295.4)	consult factory	36.63 (930.4)	43.25 (1098.6)	consult factory		
	300	53.00 (1346.2)	54.00 (1371.6)	36.63 (930.4)	43.25 (1098.6)	consult factory		
	600	57.00 (1447.8)	57.50 (1460.5)	38.13 (968.5)	43.25 (1098.6)	consult factory		
30 (750)	150	60.00 (1524.0)	consult factory	39.50 (1003.3)	45.00 (1143.0)	consult factory		
	300	62.75 (1593.9)	63.75 (1619.3)	39.50 (1003.3)	45.00 (1143.0)	consult factory		
	600	65.00 (1651.0)	65.50 (1663.7)	41.38 (1051.1)	45.00 (1143.0)	12360 (5608)		
	900	68.00 (1727.2)	68.88 (1749.6)	43.88 (1114.6)	49.50 (1257.3)	17260 (7831)		
36 (900)	150	77.00 (1955.8)	consult factory	46.44 (1179.6)	55.50 (1409.7)	consult factory		
	300	82.00 (2082.8)	consult factory	46.44 (1179.6)	55.50 (1409.7)	consult factory		
	600	82.00 (2082.8)	82.63 (2098.8)	48.63 (1235.2)	55.50 (1409.7)	20720 (9401)		
	900	86.25 (2190.8)	87.38 (2219.5)	52.81 (1341.4)	63.38 (1609.8)	consult factory		
42 (1050)	150	97.25 (2470.2)	consult factory	58.13 (1476.5)	66.13 (1679.7)	consult factory		
	300	97.25 (2470.2)	consult factory	58.13 (1476.5)	66.13 (1679.7)	consult factory		
	600	97.25 (2470.2)	consult factory	58.13 (1476.5)	66.13 (1679.7)	31870 (14460)		
48 (1200)	150	106.00 (2692.4)	consult factory	62.75 (1593.9)	70.00 (1778.0)	consult factory		
	300	106.00 (2692.4)	consult factory	62.75 (1593.9)	70.00 (1778.0)	consult factory		
	600	106.00 (2692.4)	consult factory	62.75 (1593.9)	70.00 (1778.0)	consult factory		

Order without notice. Weights and dimensions can be confirmed at time of order.  
in accordance with ANSI B16.10.



**Stream-Flo USA**

Valve Business Unit  
8726 Fallbrook Drive  
Houston Texas USA 77064  
Tel 832.912.1022  
Fax 281.653.1188

**Canadian Sales**

400 Bow Valley Square One  
202 - 6 Avenue SW  
Calgary Alberta Canada T2P 2R9  
Tel 403.269.5531  
Fax 403.266.3307

**Head Office and  
Manufacturing Facility**

4505 - 74 Avenue  
Edmonton Alberta Canada T6B 2H5  
Tel 780.468.6789  
Fax 780.469.7724

**International Sales**

Kilgore TX USA	903.983.2992
Beeville TX USA	361.362.2600
Edmond OK USA	405.330.5504
Granbury TX USA	817.326.5341
Indiana PA USA	724.349.6090
Longview TX USA	903.234.1880
Rifle CO USA	970.625.5286
Midland TX USA	432.685.9908
Williamsport PA USA	570.494.1052
Cheyenne WY USA	307.632.3755
Jakarta Indonesia	62.21.7918.1234
Dubai UAE	971.4.870.4012
Abu Dhabi UAE	971.2.815.7024
Hassi Messaoud Algeria	

**[www.streamflo.com](http://www.streamflo.com)  
[info@streamflo.com](mailto:info@streamflo.com)**