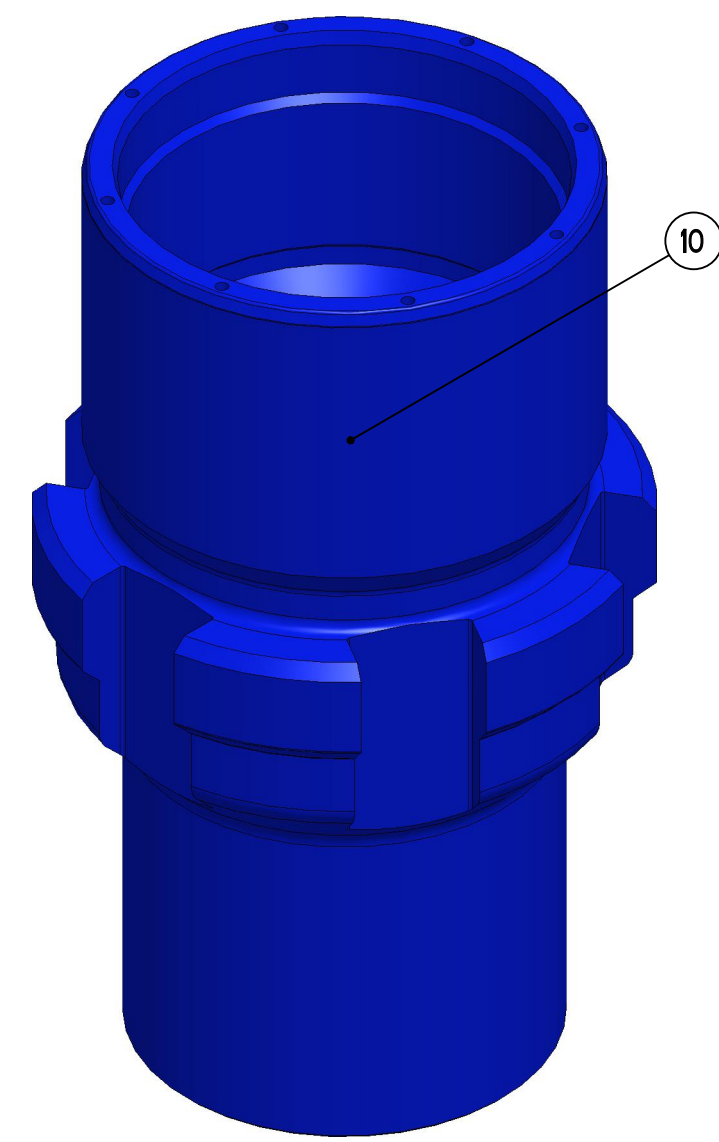
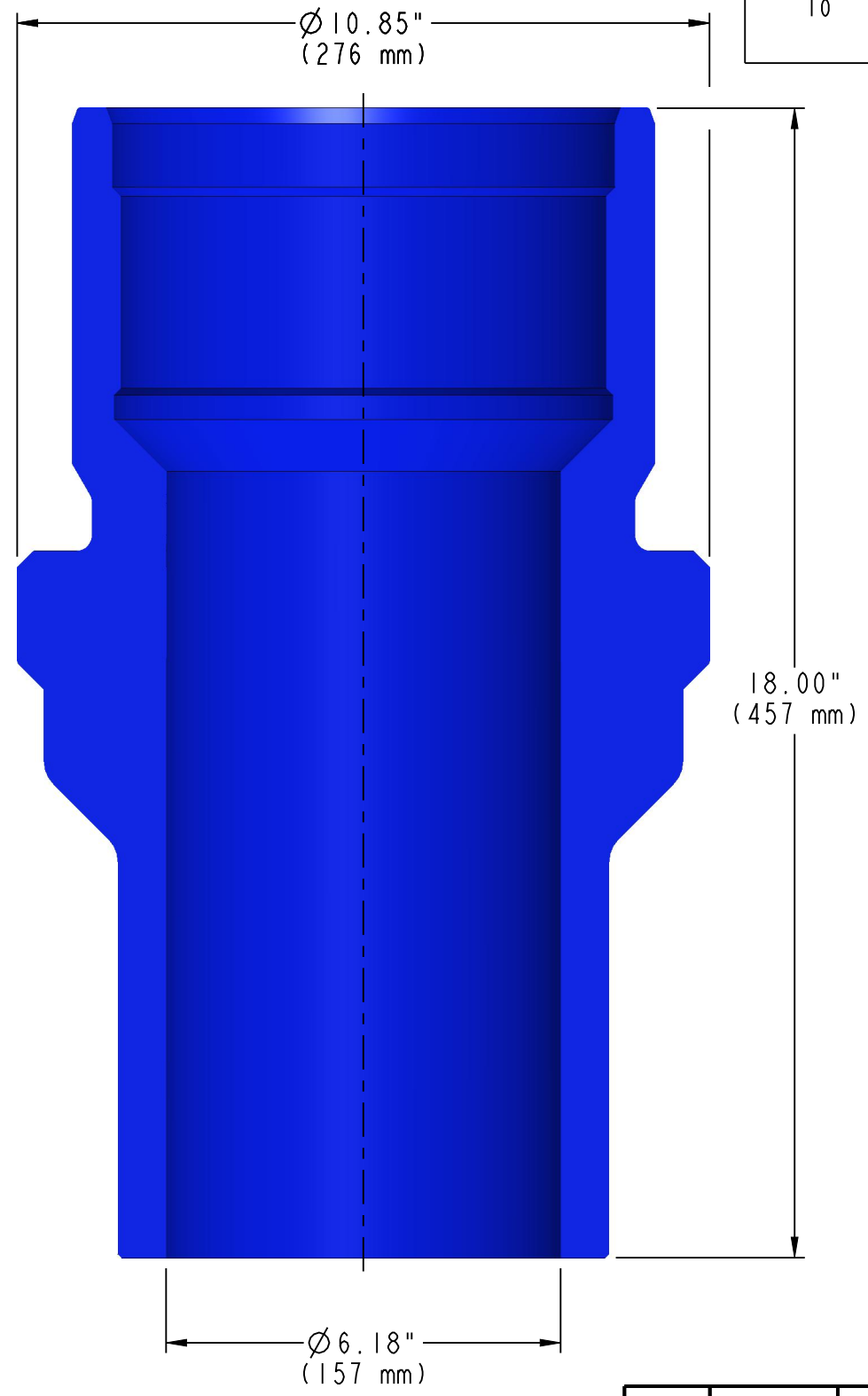


PART NUMBER 30010255 (LEGACY PART: 90022272)	HEAT TREAT	MATERIAL		WEIGHT APPROX 125 lbs	YPF ARGENTINA CATALOG DRAWING CASING HANGER CFB 11 NOMINAL, 7 BLANK BOX BOTTOM FOR 26 lb/ft TENARIS BLUE X 7.750-4 STUB ACME-2G BOX TOP, SIX FLUTES	DWG. No. RB-42872
		SPEC	DWG No			REV: 0 SHEET 1 OF 2

BILL OF MATERIALS			
ITEM	PART NUMBER	DESCRIPTION	QTY
10	30010255	STREAM-FLO CROWN CASING HANGER MANDREL (LOWER STRING) CFB 11 NOMINAL WITH 7 BLANK BOX BOTTOM FOR 26 lb/ft TENARIS BLUE THREAD X 7.750-4 STUB ACME-2G BOX TOP 9.125 DIAMETER X 2.12 EFFECTIVE LENGTH EXTENDED NECK WITH 6 FLUTES 6.18 BORE 18.00 OAL 110K API 6A UAA PSL-2 PRI MAX LOAD 630000 lbs	1

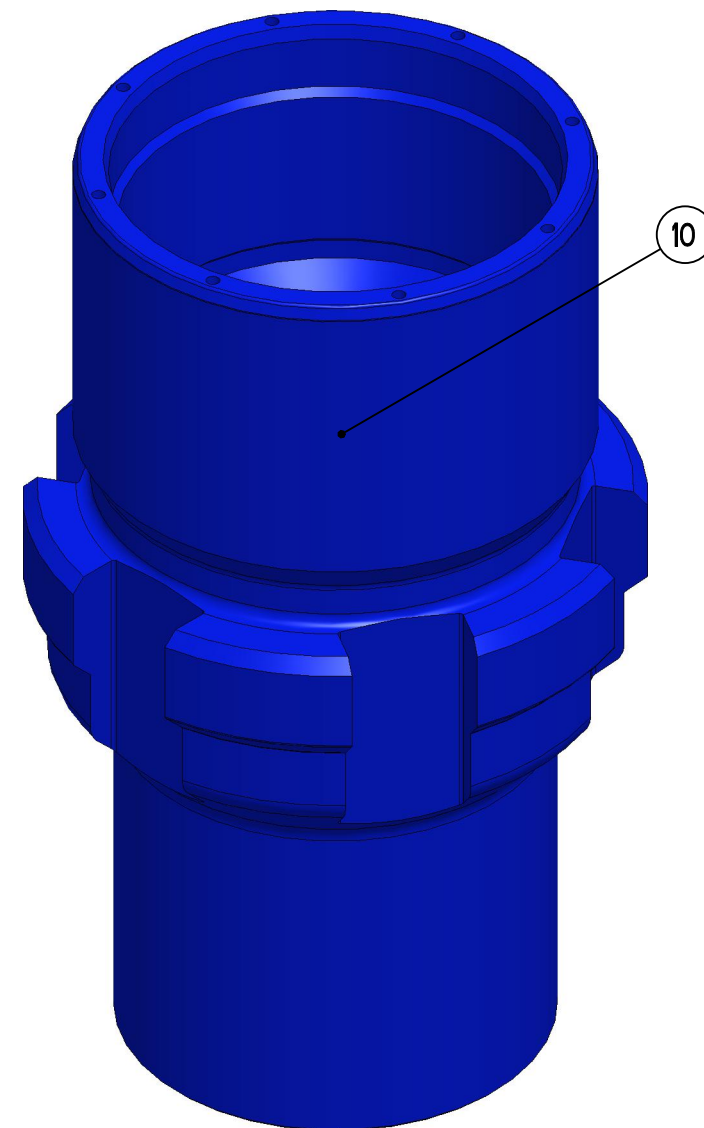
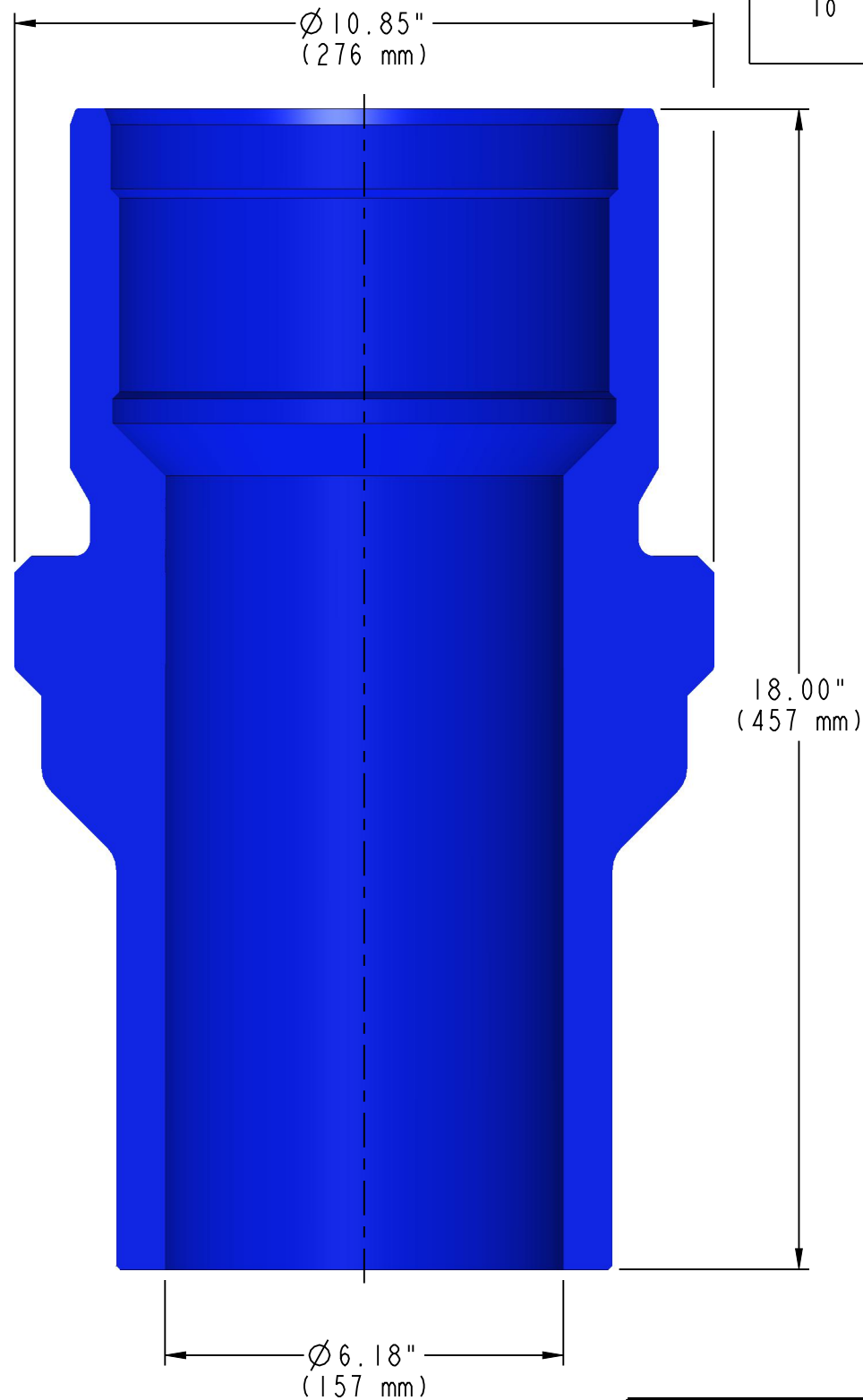


3D VIEW
SCALE 0.300

REV.	EC	BY	DATE	DWN.	ND	12-20-22	ALL DIMENSIONS IN INCHES UNLESS OTHERWISE NOTED: .X +/- .1 .XX +/- .02 .XXX +/- .005	ANGLE +/- 1/2° RADII .05 T.I.R. .010	THIS DOCUMENT IS A PROPERTY OF STREAM-FLO INDUSTRIES LTD. AND NOT TO BE USED IN ANY WAY PREJUDICIAL TO THEIR INTERESTS. ALL PROPRIETARY RIGHTS RESERVED.	4505 - 74 AVE. EDMONTON, ALTA. CANADA	
				CHCK.	JG	12-21-22					
				APPR.	RM	12-21-22					
							REF: WH-22272	COMMONSPACE	PROJ: 7457	MODEL: 42872_30010255	DWG: 42872_30010255

PART NUMBER 30010255 (LEGACY PART: 90022272)	HEAT TREAT	MATERIAL		WEIGHT APPROX	YPF ARGENTINA CATALOG DRAWING CASING HANGER CFB 11 NOMINAL, 7 BLANK BOX BOTTOM FOR 26 lb/ft TENARIS BLUE X 7.750-4 STUB ACME-2G BOX TOP, SIX FLUTES	DWG. No. RB-42872
		SPEC	DWG No	125 lbs		
			SCALE 0.375	REV: 0 SHEET 2 OF 2		

LISTA DE MATERIALES			
ARTICULO	NUMERO DE PARTE	DESCRIPCION	CANT.
10	30010255	COLGADOR MANDRILL INFERIOR STREAM-FLO CROWN PARA CABEZAL CFB 11" NOMINAL PREPARADO PARA ROSCA INFERIOR 7" 26 lb/pie TENARIS BLUE Y ROSCA DE MANIOBRA 7.750-4 STUB ACME-2G BOX SUPERIOR INCLUYE CUELLO EXTENDIDO Y 6 PASAJES PARA LODO 6.18 BORE MATERIAL 110K API 6A U/AA/PSL-2/PR-1 630000 lbs CARGA MAXIMA	1



3D VIEW
SCALE 0.300

REV.	EC	BY	DATE	DWN.	ND	12-20-22	ALL DIMENSIONS IN INCHES UNLESS OTHERWISE NOTED: .X +/- .1 .XX +/- .02 .XXX +/- .005	ANGLE +/- 1/2° RAD II .05 T.I.R. .010
				CHCK.	JG	12-21-22		
				APPR.	RM	12-21-22		

THIS DOCUMENT IS A PROPERTY OF
STREAM-FLO INDUSTRIES LTD. AND
NOT TO BE USED IN ANY WAY
PREJUDICIAL TO THEIR INTERESTS.
ALL PROPRIETARY RIGHTS RESERVED.

4505 - 74 AVE.
EDMONTON, ALTA.
CANADA