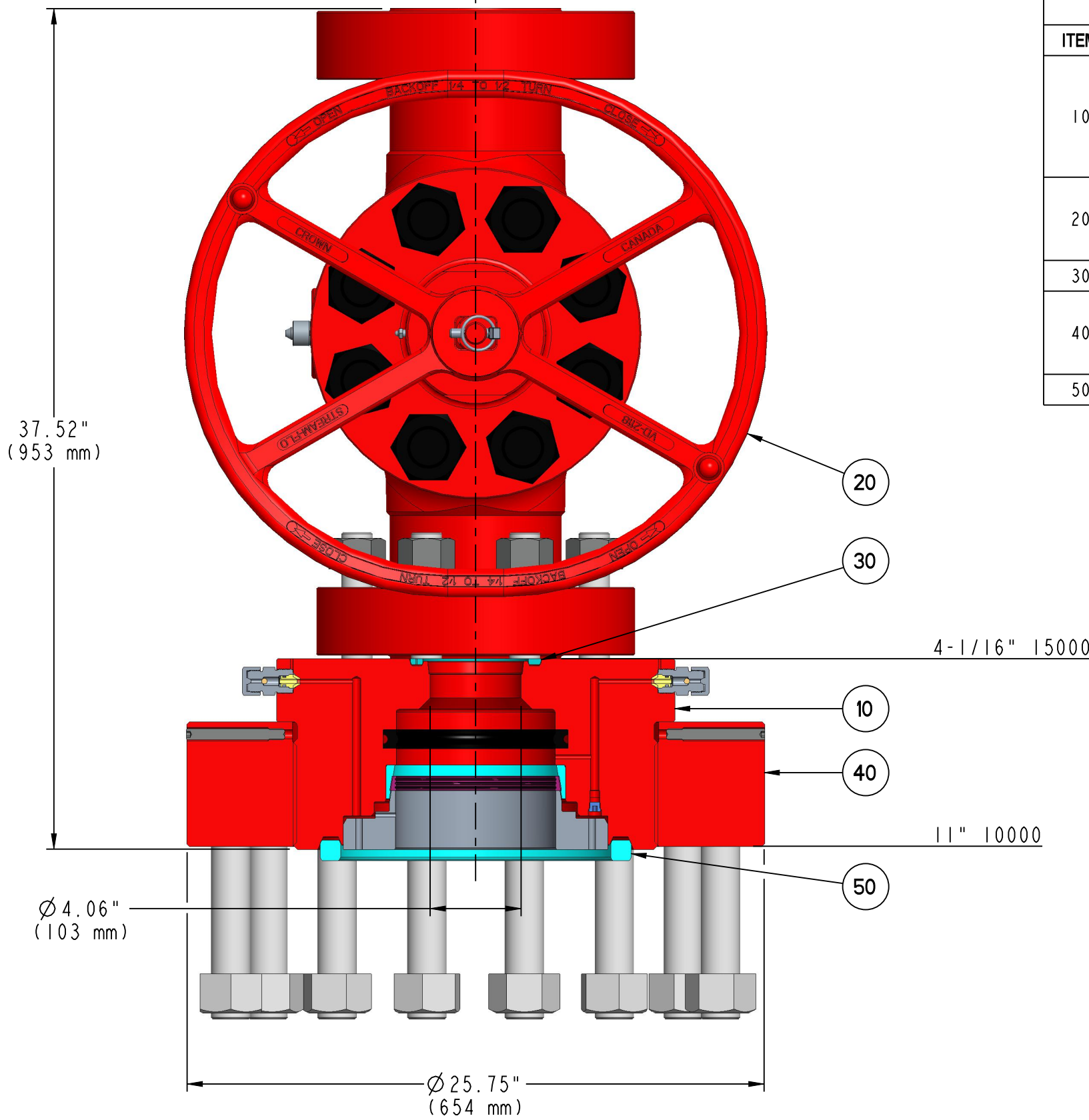


PART NUMBER 30203992 (LEGACY PART: 90022101)	HEAT TREAT	MATERIAL		WEIGHT APPROX 1993 lbs SCALE 0.175	YPF ARGENTINA CATALOG DRAWING ADAPTER FLANGE ASSEMBLY, TYPE 'DR-1', 11" 10000 RSF THREADED FLANGE OEC X 4-1/16" 15000 STUDDED TOP, 7" TYPE 'DR-1' METAL SEAL AND ONE 7" FS-SEAL COMES WITH THREADED FLANGE AND GASKETS AND 4-1/16" 15000 GATE VALVE	DWG. No. RB-42855
		SPEC	DWG No			REV: 0

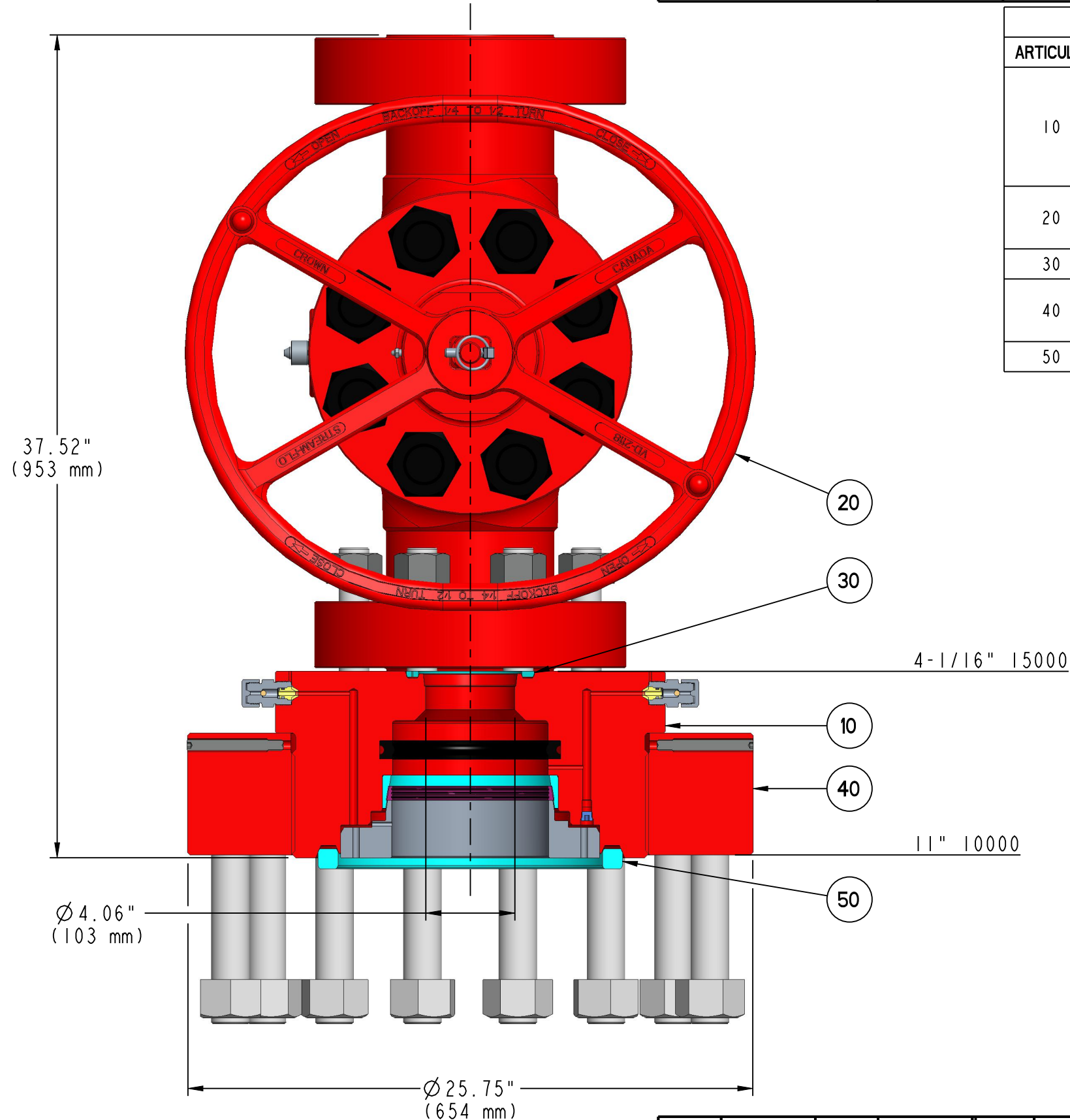
BILL OF MATERIALS			
ITEM	PART NUMBER	DESCRIPTION	QTY
10	30201273	STREAM-FLO CROWN ADAPTER FLANGE DR-1 16.250-2 STUB ACME-2G PIN THREAD BOTTOM FOR RSF THREADED FLANGE AND BX-158 GROOVE OEC X 4-1/16 15000 STUDDED TOP 7 TYPE DR-1 METAL SEAL AND ONE 7 FS-SEAL PREP FOR 6 EFFECTIVE LENGTH EXTENDED NECK HANGER TYPE FM DUAL BARRIER SEAL 4.06 BORE 8.50 LONG API 6A PUEE PSL-3 PR2F	1
20	30202807	GATE VALVE 4-1/16" 15000 FLANGED ENDS T25 TRIM 410 SS HARDFACE GATE STELLITE OR 410 SS HARDFACED SEATS 17-4PH STEM API 6A LUEE-0.5 CIW FC STYLE OR EQUIVALENT PSL-3 PR2F	1
30	10011686	RING GASKET BX-155 316 STAINLESS STEEL S316-4 API 6A	1
40	30028943	STREAM-FLO CROWN THREADED FLANGE RING RSF 11 10000 STUDDED BOLT PATTERN X 16.250-2 STUB ACME-2G RH INTERNAL THREADS 5.56 LONG NON-EXPOSED (B7/2H) BOLTING API 6A PUEE PSL-2	1
50	10011696	RING GASKET BX-158 316 STAINLESS STEEL S316-4 API 6A	1



REV.	EC	BY	DATE	DWN.	AT	12-20-22	ALL DIMENSIONS IN INCHES UNLESS OTHERWISE NOTED: .X +/- .1 .XX +/- .02 .XXX +/- .005		THIS DOCUMENT IS A PROPERTY OF STREAM-FLO INDUSTRIES LTD. AND NOT TO BE USED IN ANY WAY PREJUDICIAL TO THEIR INTERESTS. ALL PROPRIETARY RIGHTS RESERVED.		4505 - 74 AVE. EDMONTON, ALTA. CANADA								
				CHCK.	JG	12-21-22													
				APPR.	RM	12-21-22													
				BY															
REF: WH-22101				COMMONSPACE				PROJ: 7457				MODEL: 42855_30203992				DWG: 42855_30203992			

PART NUMBER 30203992 (LEGACY PART: 90022101)	HEAT TREAT	MATERIAL		WEIGHT APPROX 1993 lbs SCALE 0.175	YPF ARGENTINA CATALOG DRAWING ADAPTER FLANGE ASSEMBLY, TYPE 'DR-1', 11" 10000 RSF THREADED FLANGE OEC X 4-1/16" 15000 STUDDED TOP, 7" TYPE 'DR-1' METAL SEAL AND ONE 7" FS-SEAL COMES WITH THREADED FLANGE AND GASKETS AND 4-1/16" 15000 GATE VALVE	DWG. No. RB-42855
		SPEC	DWG No			REV: 0

LISTA DE MATERIALES			
ARTICULO	NUMERO DE PARTE	DESCRIPCION	CANT.
10	30201273	BRIDA ADAPTADORA STREAM-FLO CROWN MODELO DR-1 CON ROSCA ACME 16.250-2 PIN INFERIOR Y RANURA BX-158 X SUPERIOR ESPARRAGADO 4-1/16" 15000PSI CON PREPARACION PARA SELLO METAL-METAL DR-1 Y SELLO FS DE RESPALDO INCLUYE PREPARACION PARA SELLO REDUNDANTE "FM" SUPERIO; 4.06 BORE Y 8,50 LONGITUD API6A PU/EE/PSL-3/PR-2F	1
20	30202807	VALVULA ESCLUSA DE EXTREMOS BRIDADOS 4-1/16" 15000PSI TRIM T25 CON VASTAGO DE 17-4PH, ACCIONAMIENTO MANUAL; API6A LUEE-0.5 PSL-3 PR2F	1
30	10011686	ANILLO EMPAQUETADOR BX-155 ACERO INOX 316; API 6A	1
40	30028943	BRIDA ROSCADA STREAM-FLO CROWN 11" 10000PSI ESPARRAGADO INFERIOR Y ROSCA INTERNA STUB ACME-2G DE 16,250-2, 5,56 ESPESOR; API6A PUEE PSL-2	1
50	10011696	ANILLO EMPAQUETADOR BX-158 ACERO INOX 316; API 6A	1



DWN.	AT	12-20-22	ALL DIMENSIONS IN INCHES UNLESS OTHERWISE NOTED: .X +/- .1 .XX +/- .02 .XXX +/- .005	ANGLE +/- 1/2° RAD II .05 T.I.R. .010	THIS DOCUMENT IS A PROPERTY OF STREAM-FLO INDUSTRIES LTD. AND NOT TO BE USED IN ANY WAY PREJUDICIAL TO THEIR INTERESTS. ALL PROPRIETARY RIGHTS RESERVED.	4505 - 74 AVE. EDMONTON, ALTA. CANADA
CHCK.	JG	12-21-22				
APPR.	RM	12-21-22				
REV.	EC	BY	DATE	BY	DATE	