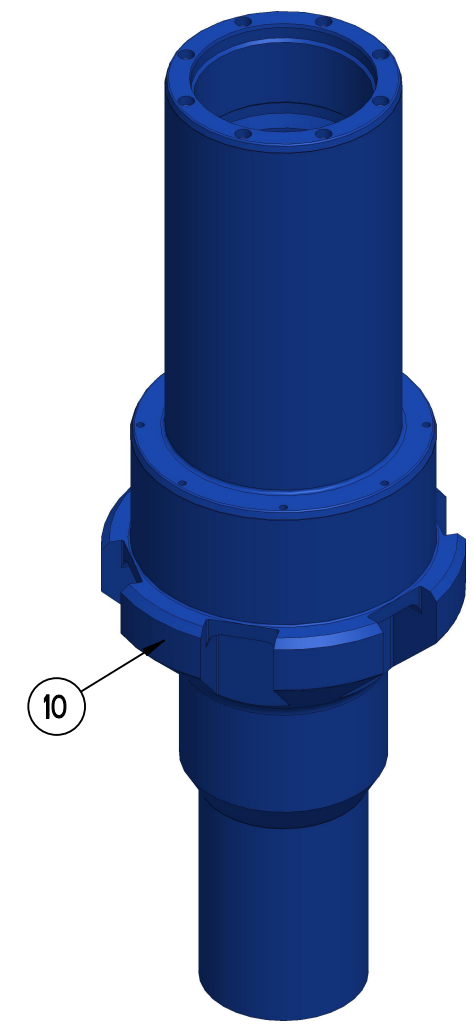
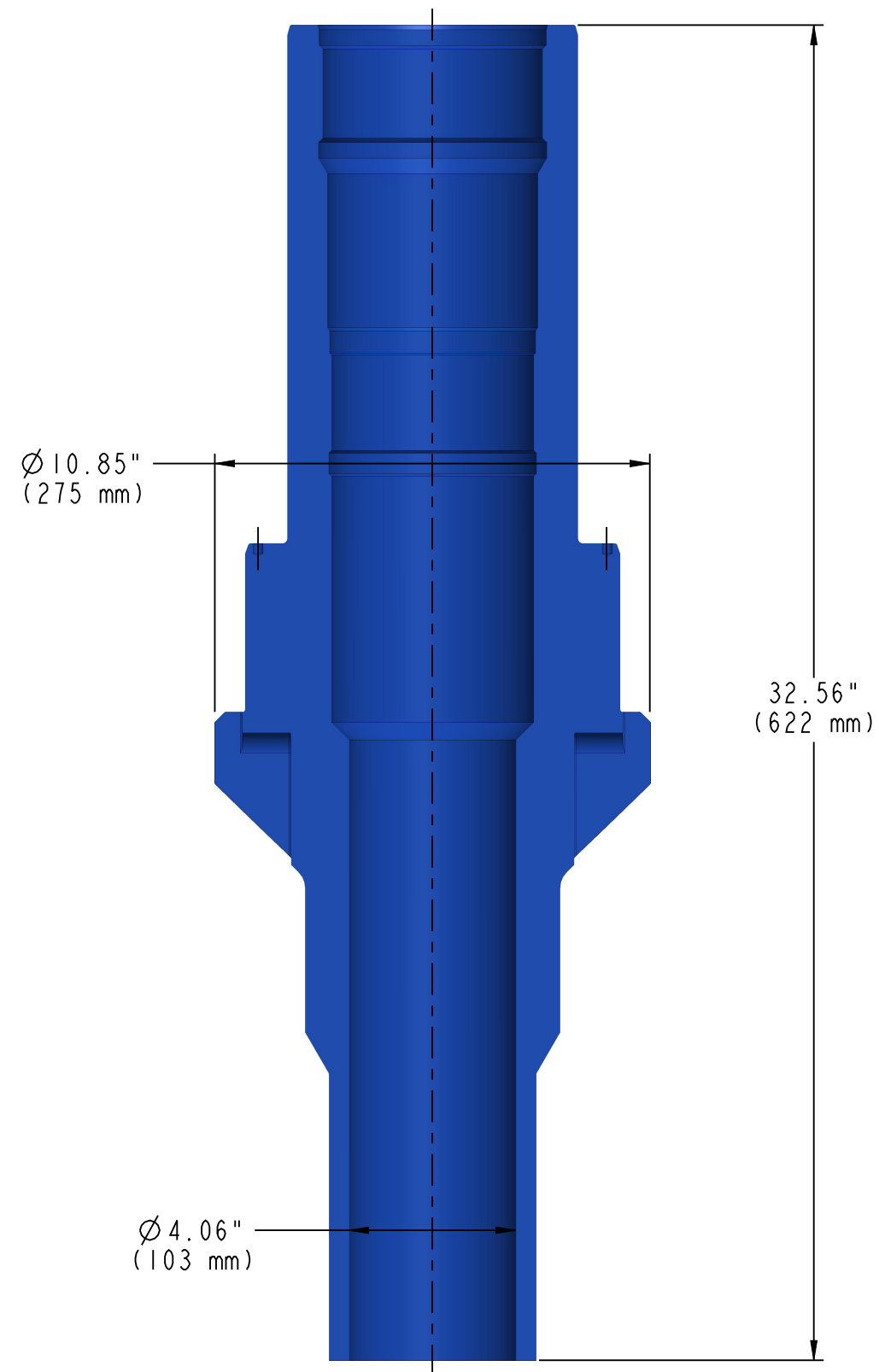


PART NUMBER	HEAT TREAT	MATERIAL		WEIGHT APPROX	YPF ARGENTINA 11" NOMINAL CFB FLUTED MANDREL 5" WEDGE 563 THREAD PUEE-0.5 PSL-3 PR1	DWG. No.
		SPEC	DWG No	206 lbs		RB-42775
30202909				SCALE 0.250		REV: 0 SHEET 1 OF 2

BILL OF MATERIALS			
ITEM	PART NUMBER	DESCRIPTION	QTY
10	30202909	STREAM-FLO CROWN CASING HANGER MANDREL (UPPER STRING) CFB 11 NOMINAL X 5 BLANK PIN BOTTOM FOR 21.4 lb/ft TENARISHYDRIL WEDGE 563 THREAD X 5.500-4 STUB ACME-2G RH BOX TOP 7.07 DIAMETER X 6.00 EFFECTIVE LENGTH EXTENDED NECK AND 9.125 DIAMETER FOR PACKOFF WITH 5 H BPV AND SIX FLUTES 4.066 BORE 32.56 LONG 110 ksi MINIMUM YIELD 17-4 STAINLESS STEEL MATERIAL COPPER FLASHED API 6A PUEE-0.5 PSL-3 PR1 *MAX LOAD 450000 lbs	1

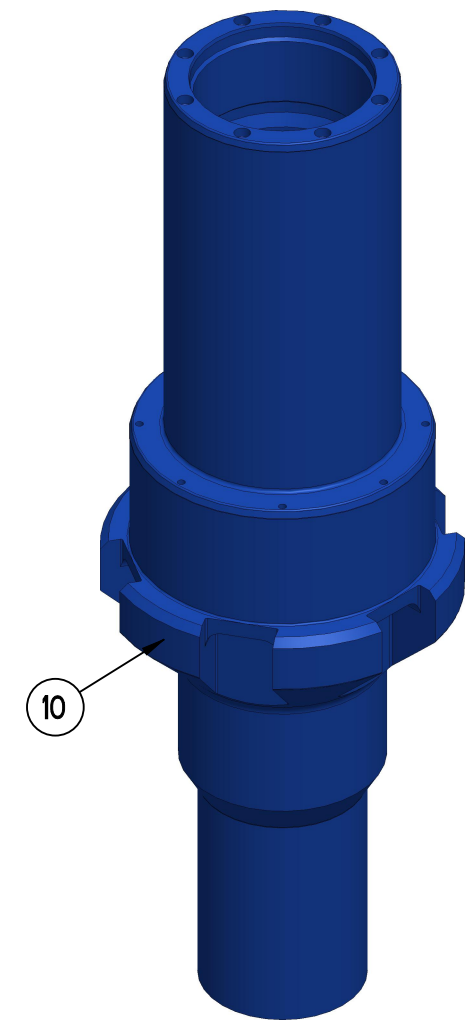
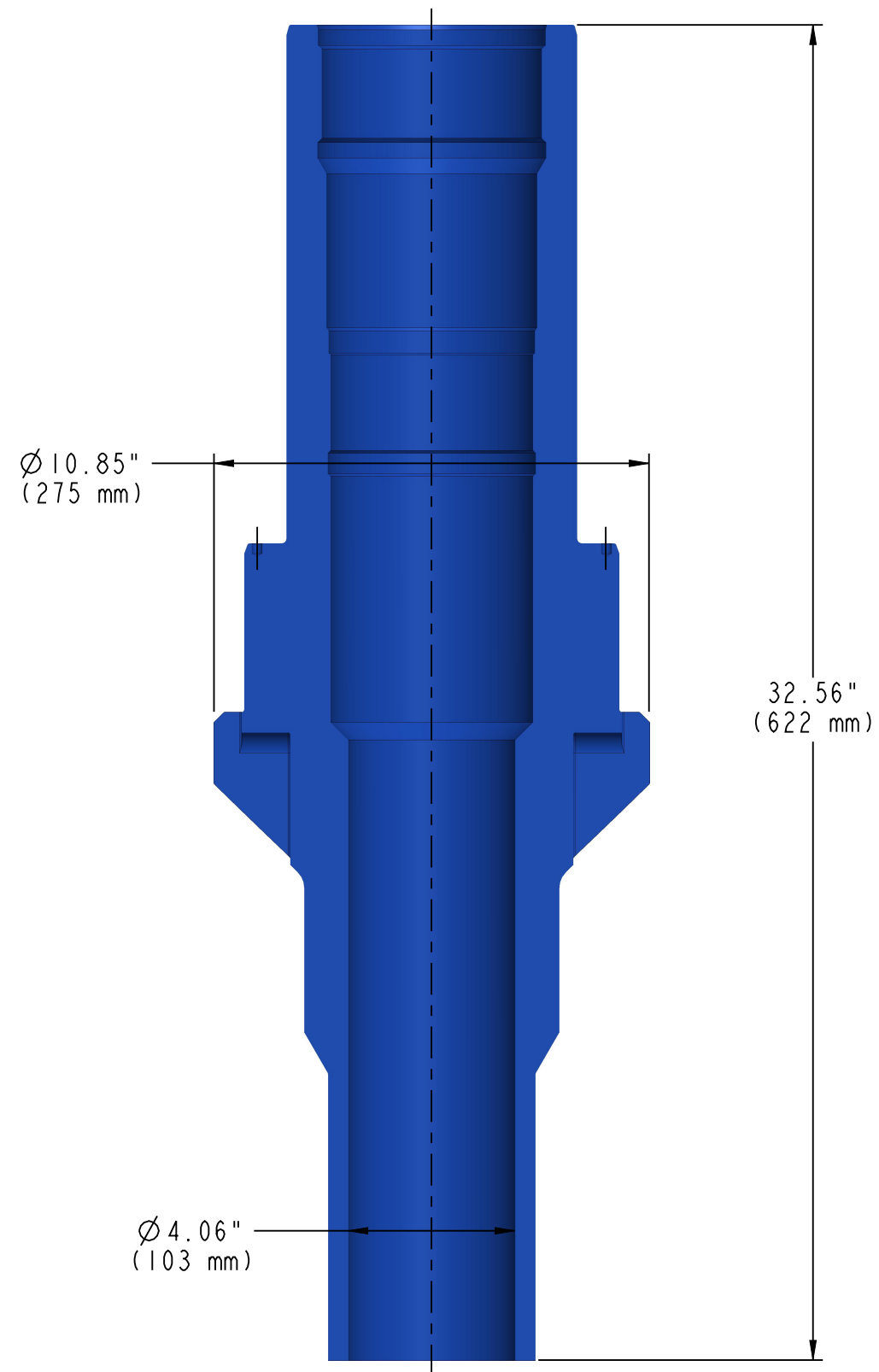


3D VIEW
SCALE 0.175

REV.	EC	BY	DATE	DWN.	GAK	12-05-22	ALL DIMENSIONS IN INCHES UNLESS OTHERWISE NOTED: .X +/- .1 .XX +/- .02 .XXX +/- .005 ANGLE +/- 1/2° RADIUS .05 T.I.R. .010	THIS DOCUMENT IS A PROPERTY OF STREAM-FLO INDUSTRIES LTD. AND NOT TO BE USED IN ANY WAY PREJUDICIAL TO THEIR INTERESTS. ALL PROPRIETARY RIGHTS RESERVED.	4505 - 74 AVE. EDMONTON, ALTA. CANADA
				CHCK.	VN	12-05-22			
				APPR.	RM	12-05-22			

PART NUMBER	HEAT TREAT	MATERIAL		WEIGHT APPROX	YPF ARGENTINA 11" NOMINAL CFB FLUTED MANDREL 5" WEDGE 563 THREAD PUEE-0.5 PSL-3 PR1	DWG. No. RB-42775
		SPEC	DWG No	206 lbs		
30202909				SCALE 0.250		REV: 0 SHEET 2 OF 2

LISTA DE MATERIALES			
ARTICULO	NUMERO DE PARTE	DESCRIPCION	CANT.
10	30202909	COLGADOR DE CASING TIPO MANDREL CFB 11" NOMINAL X 5" 21.4 lb/ft TENARISHYDRIL WEDGE 563 PIN INFERIOR Y ROSACA 5.500-4 STUB ACME-2G RH BOX SUPERIOR, 5" H BPV Y 6 PASAJES 4.066 BORE 32.56 LONG 110 KSI MATERIAL 17-4 STAINLESS STEEL MATERIAL COPPER FLASHED API 6A 10000 psi PUEE-0.5 PSL-3 PR1 *MAX LOAD 450000 lbs	1



3D VIEW
SCALE 0.175

REV.	EC	BY	DATE	DWN.	GAK	12-05-22	ALL DIMENSIONS IN INCHES UNLESS OTHERWISE NOTED: .X +/- .1 .XX +/- .02 .XXX +/- .005	ANGLE +/- 1/2° RAD II .05 T.I.R. .010	THIS DOCUMENT IS A PROPERTY OF STREAM-FLO INDUSTRIES LTD. AND NOT TO BE USED IN ANY WAY PREJUDICIAL TO THEIR INTERESTS. ALL PROPRIETARY RIGHTS RESERVED.	4505 - 74 AVE. EDMONTON, ALTA. CANADA
				CHCK.	VN	12-05-22				
				APPR.	RM	12-05-22				
							MODEL: 42775_30202909			