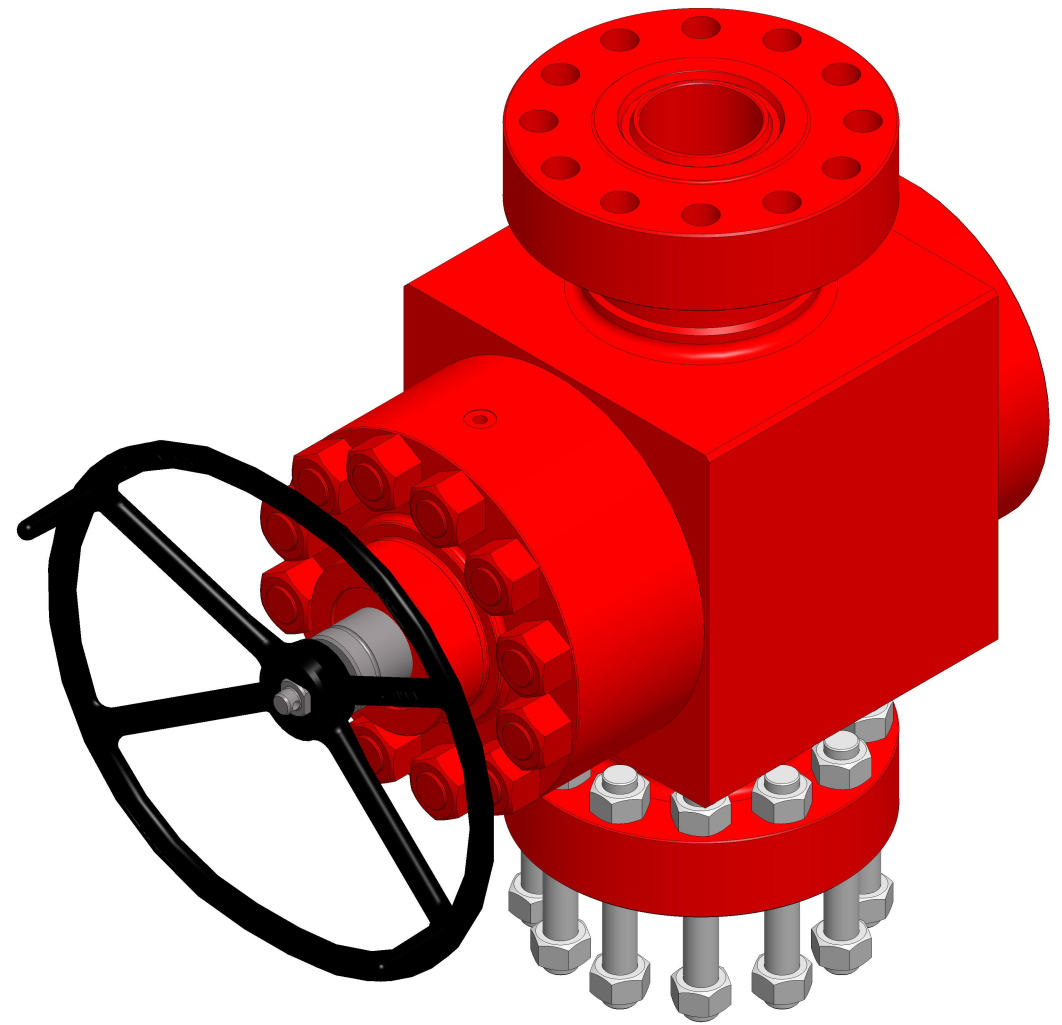
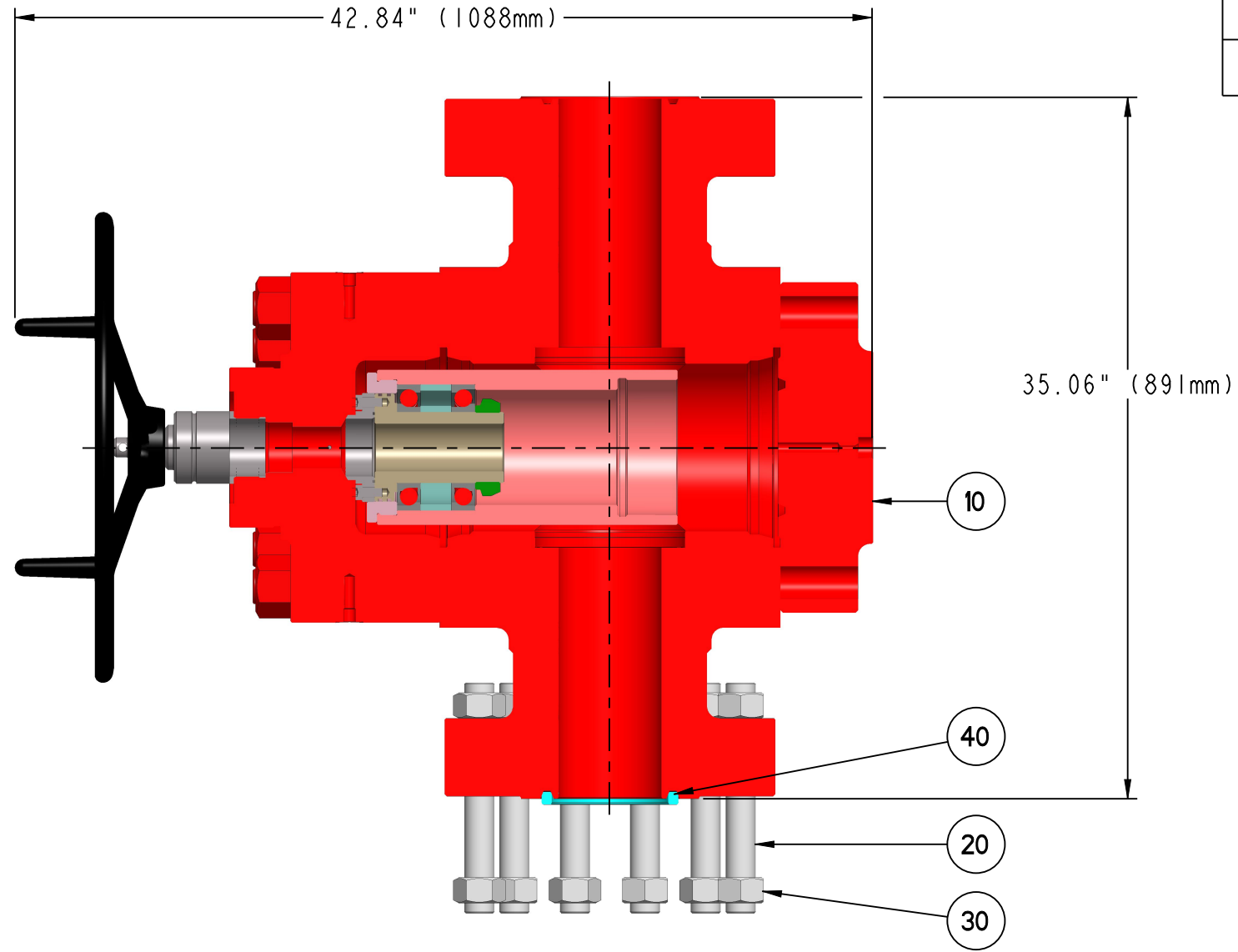


PART NUMBER 30203877 (LEGACY PART: 90023986)	HEAT TREAT	MATERIAL		WEIGHT APPROX	GATE VALVE ASSEMBLY, 5-1/8 API 15000 WITH BX-169 RING AND FULL SET OF STUDS AND NUTS	DWG. No. RB-42735
		SPEC	DWG No	2931 lbs		REV: 0 SHEET 1 OF 2
				SCALE 0.125		

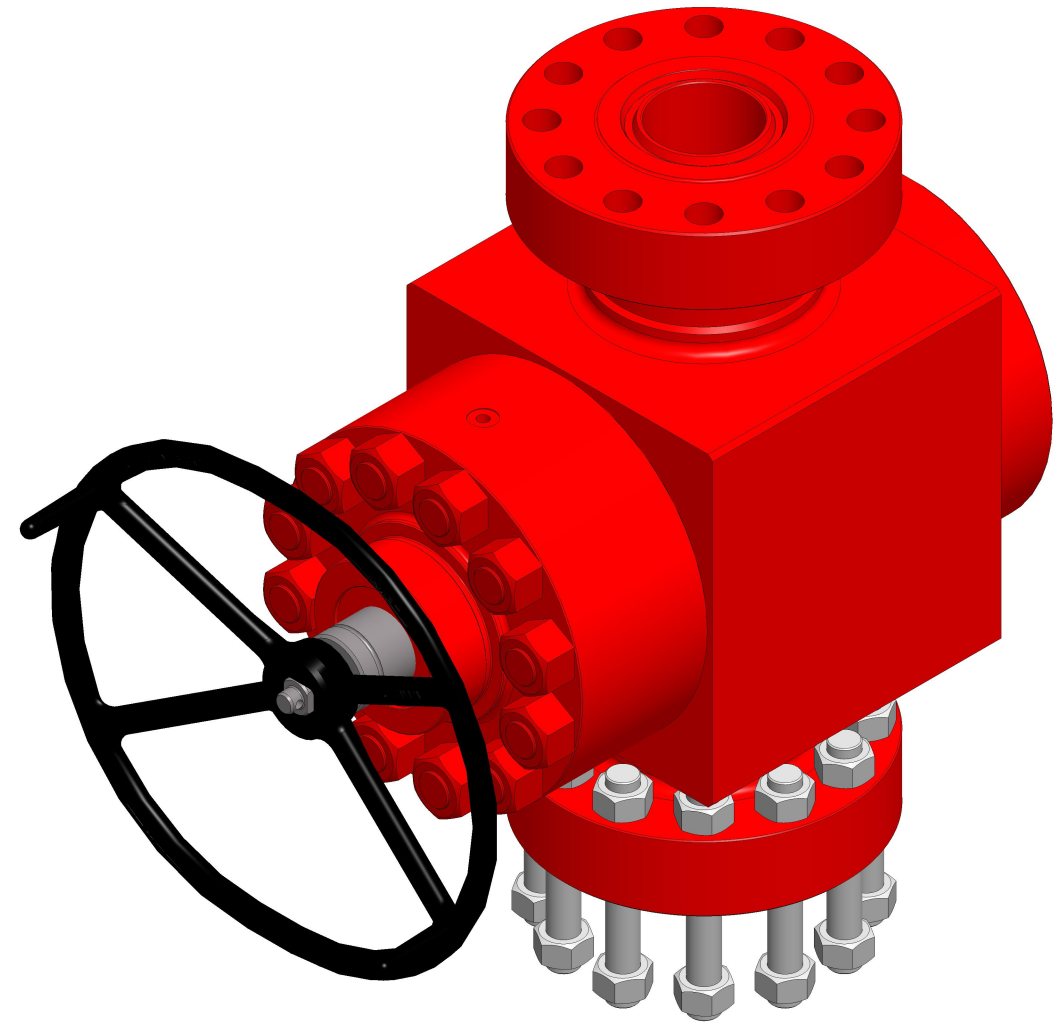
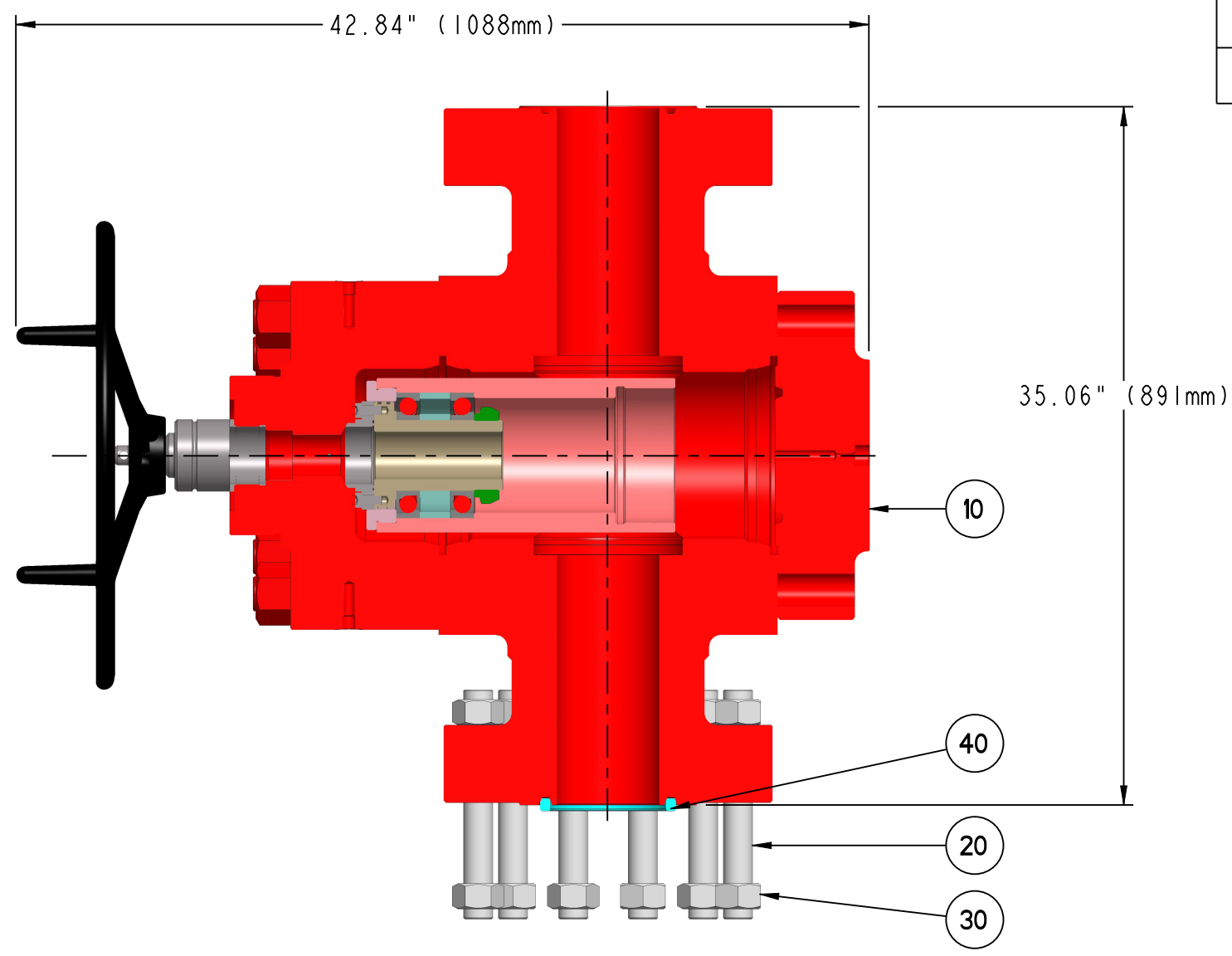
BILL OF MATERIALS			
ITEM	PART NUMBER	DESCRIPTION	QTY
10	30028905	GATE VALVE 5-1/8 API 15000 FLANGED ENDS TUNGSTEN CARBIDE HARDFACED NO LIMIT STEM BALL SCREW OPERATED API 6A LUEE PSL-3 PR2F	1
20	10012295	STUD 1-1/2 8UN X 11-1/2 FULL THREAD MINIMUM (12 OVERALL LENGTH MAXIMUM) ASTM A193 GRADE B7 STANDARD SERVICE API 6A BSL-1	12
30	10007370	NUT 1-1/2 8UN ASTM A194 GRADE 2H STANDARD SERVICE API 6A BSL-1	24
40	10011711	RING GASKET BX-169 LOW CARBON STEEL PLATED S-4 API 6A	1



REV.	EC	BY	DATE	DWN.	JKC	11-29-22	ALL DIMENSIONS IN INCHES UNLESS OTHERWISE NOTED: .X +/- .1 .XX +/- .02 .XXX +/- .005	ANGLE +/- 1/2° RADII .05 T.I.R. .010	THIS DOCUMENT IS A PROPERTY OF STREAM-FLO INDUSTRIES LTD. AND NOT TO BE USED IN ANY WAY PREJUDICIAL TO THEIR INTERESTS. ALL PROPRIETARY RIGHTS RESERVED.	4505 - 74 AVE. EDMONTON, ALTA. CANADA
0				CHCK.	AT	11-29-22				
				APPR.	JG	11-29-22				

PART NUMBER 30203877 (LEGACY PART: 90023986)	HEAT TREAT	MATERIAL		WEIGHT APPROX	GATE VALVE ASSEMBLY, 5-1/8" API 15000 WITH BX-169 RING AND FULL SET OF STUDS AND NUTS	DWG. No. RB-42735
		SPEC	DWG No	2931 lbs		REV: 0 SHEET 2 OF 2
				SCALE 0.125		

LISTA DE MATERIALES			
ARTICULO	NUMERO DE PARTE	DESCRIPCION	CANT.
10	30028905	VALVULA ESCLUSA EXTREMOS BRIDADOS 5-1/8" 15000 CON ASIENTOS Y ESCLUSA RECUBIERTOS CON CARBURO DE TUNGSTENO MECANISMO DE OPERACION DE BOLAS RECIRCULANTES API 6A LU/EE/PSL-3/PR2F	1
20	10012295	ESPARRAGO 1-1/2 8UN TOTALMENTE ROSCADO 12" LARGO ASTM A193, GR B7 SERVICIO STANDARD API 6A BSL-1	12
30	10007370	TUERCA 1-1/2 8UN ASTM A194 GR 2H SERVICIO STANDARD API 6A BSL-1	24
40	10011711	ANILLO EMPAQUETADOR OVAL BX-169 ACERO DE BAJO CARBONO CON RECUBRIMIENTO ANTICORROSIVO S-4 API 6A	1



REV.	EC	BY	DATE	DWN.	JKC	11-29-22	ALL DIMENSIONS IN INCHES UNLESS OTHERWISE NOTED: .X +/- .1 .XX +/- .02 .XXX +/- .005 ANGLE +/- 1/2° RADI .05 T.I.R. .010		THIS DOCUMENT IS A PROPERTY OF STREAM-FLO INDUSTRIES LTD. AND NOT TO BE USED IN ANY WAY PREJUDICIAL TO THEIR INTERESTS. ALL PROPRIETARY RIGHTS RESERVED.		4505 - 74 AVE. EDMONTON, ALTA. CANADA
0				CHCK.	AT	11-29-22					
				APPR.	JG	11-29-22					
				BY							