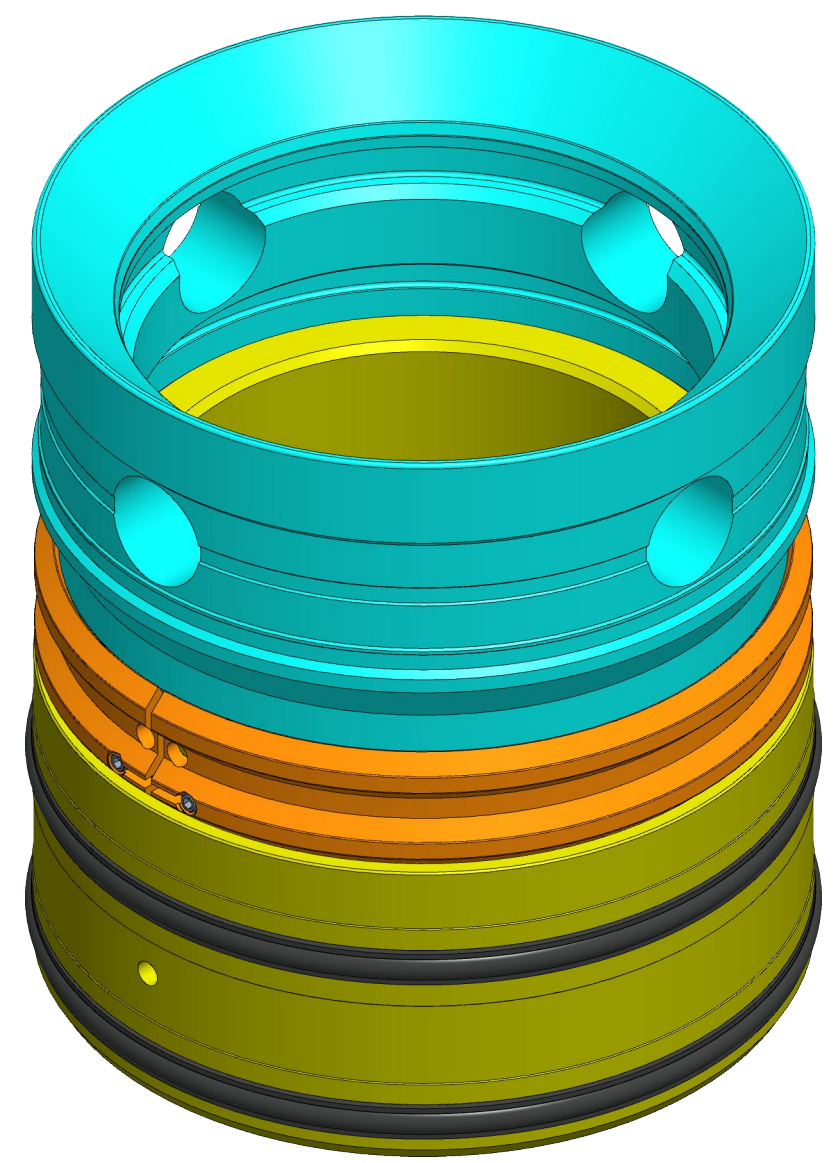
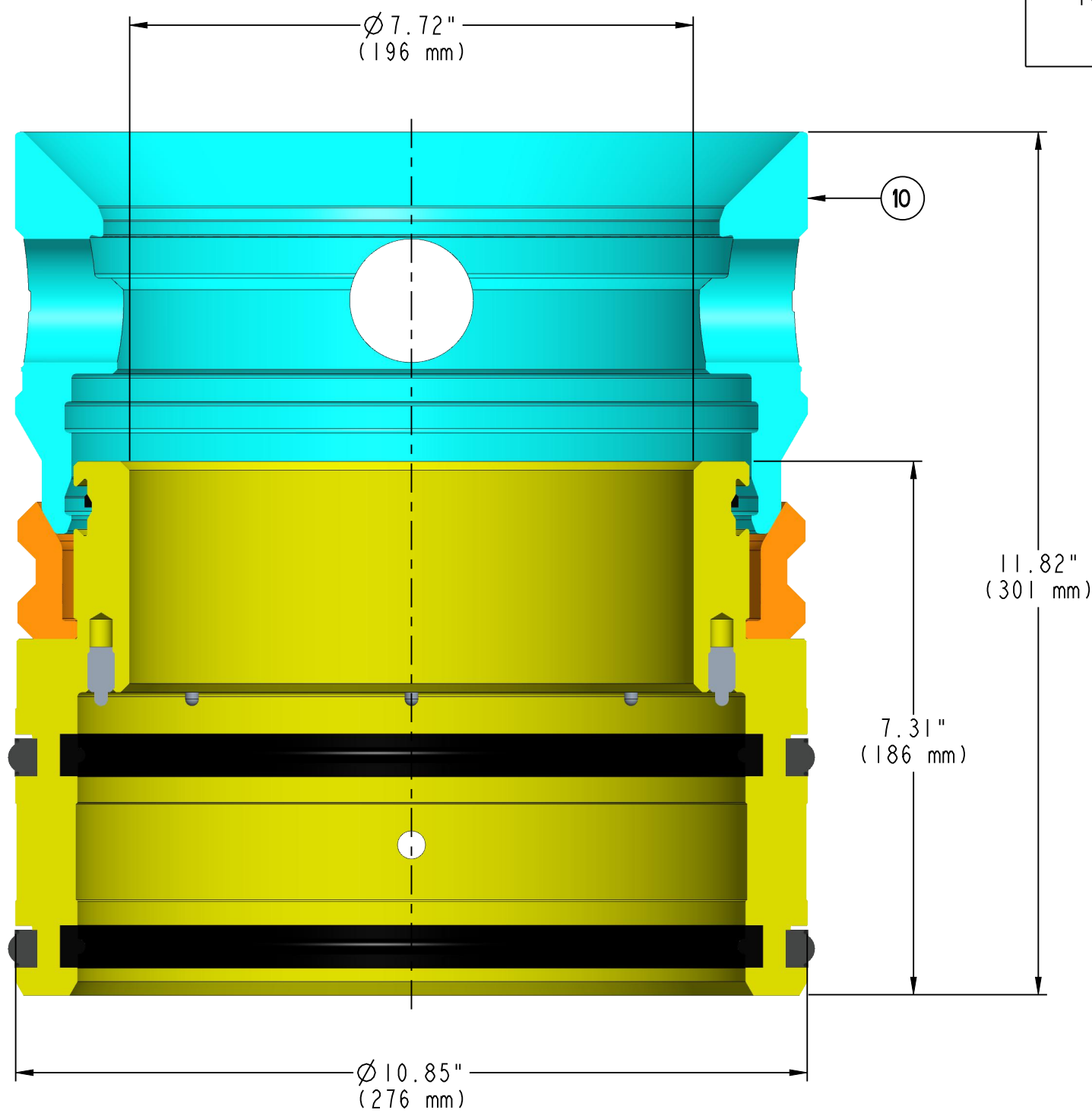
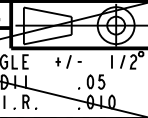

 PART NUMBER 30010408 (LEGACY PART: WH-22298)	HEAT TREAT	MATERIAL		WEIGHT APPROX 95 lbs	YPF ARGENTINA CATALOG DRAWING PACKOFF BUSHING ASSEMBLY, CFB 11" NOMINAL X 9.125" SEALING DIAMETER, 7.875-4 STUB ACME-2G BOX TOP DUAL S-SEALS ON OD AND ID WITH L-PACKING RETENTION RING, 7.72 BORE, 10000 psi RWP	DWG. No. RB-42734
		SPEC	DWG No			

BILL OF MATERIALS			
ITEM	PART NUMBER	DESCRIPTION	QTY
10	30010408	STREAM-FLO CROWN PACKOFF BUSHING CFB 11 NOMINAL X 9.125 SEALING DIAMETER 7.875-4 STUB ACME-2G BOX TOP DUAL S-SEALS ON OD AND ID WITH L-PACKING RETENTION RING 7.72 BORE 10000 PSI RWP PTFE COATED API 6A PUDD PSL-2 PRI	1



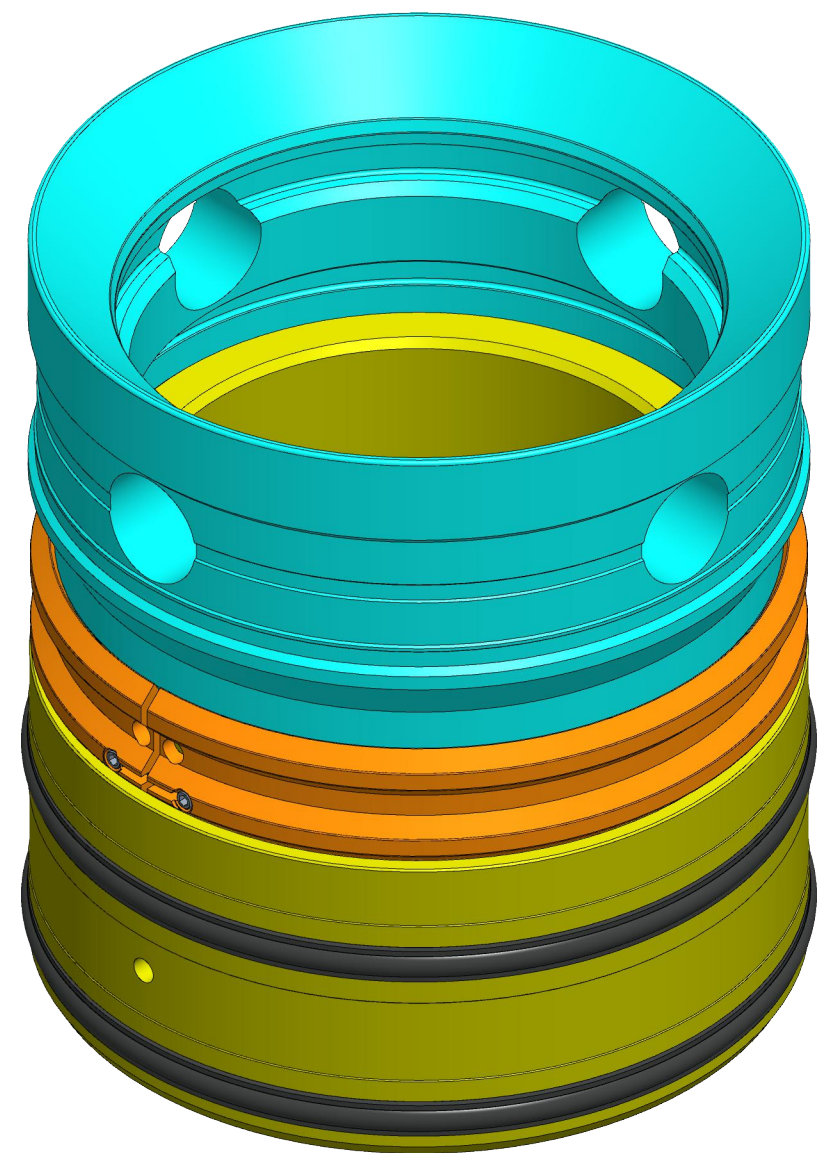
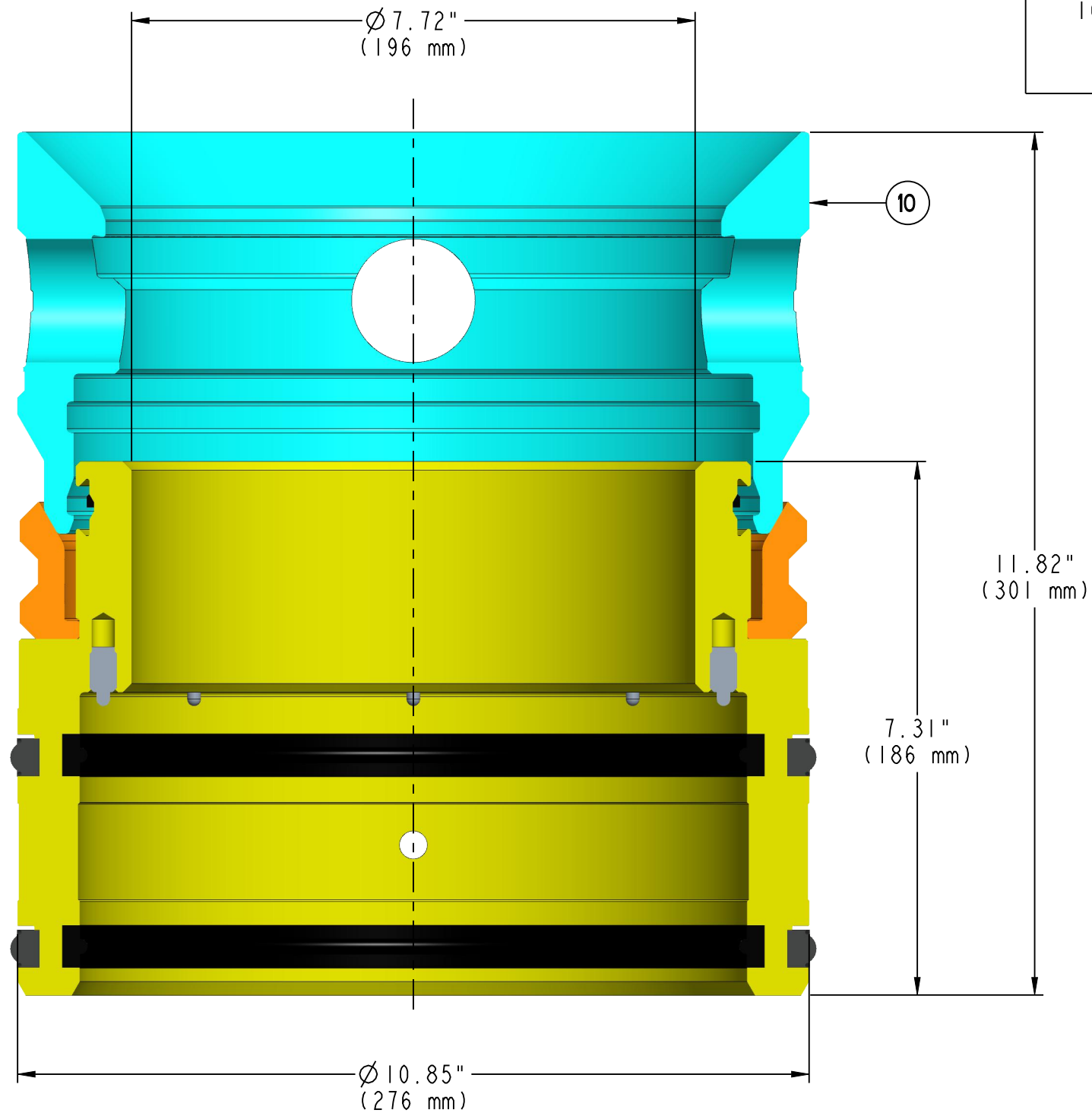
3D VIEW
SCALE 0.375

REF: WH-22298	COMMONSPACE	PROJ: 7813	MODEL: 42734_30010408	DWN. JKC 11-29-22 CHCK. VN 02-06-23 APPR. JG 02-06-23	ALL DIMENSIONS IN INCHES UNLESS OTHERWISE NOTED: .X +/- .1 .XX +/- .02 .XXX +/- .005	 ANGLE +/- 1/2° RADIUS .05 T.I.R. .010	THIS DOCUMENT IS A PROPERTY OF STREAM-FLO INDUSTRIES LTD. AND NOT TO BE USED IN ANY WAY PREJUDICIAL TO THEIR INTERESTS. ALL PROPRIETARY RIGHTS RESERVED.	 4505 - 74 AVE. EDMONTON, ALTA. CANADA
REV. EC	BY	DATE	BY	DATE				

PART NUMBER 30010408 (LEGACY PART: WH-22298)	HEAT TREAT	MATERIAL		WEIGHT APPROX 95 lbs	YPF ARGENTINA CATALOG DRAWING PACKOFF BUSHING ASSEMBLY, CFB 11" NOMINAL X 9.125" SEALING DIAMETER, 7.875-4 STUB ACME-2G BOX TOP DUAL S-SEALS ON OD AND ID WITH L-PACKING RETENTION RING, 7.72 BORE, 10000 psi RWP	DWG. No. RB-42734
		SPEC	DWG No			
				SCALE 0.500		REV: 1 SHEET 2 OF 2

LISTA DE MATERIALES

ARTICULO	NUMERO DE PARTE	DESCRIPCION	CANT.
10	30010408	CONJUNTO PACK OFF STREAM FLO, CFB 11" NOMINAL X 9,125" DE DIAMETRO DE SELLO CON ROSCA 7.875-4 STUB ACME-2G BOX SUPERIOR SOBRE SELLO S EXTERNOS E INTERNOS, INCLUYE ANILLO DE CORTE DE RETENCION INTERNA 7,72" BORE 10000PSI API 6A PUDD PSL-2 PRI	1



3D VIEW
SCALE 0.375

REV.	EC	BY	DATE	DWN.	JKC	11-29-22	ALL DIMENSIONS IN INCHES UNLESS OTHERWISE NOTED: .X +/- .1 .XX +/- .02 .XXX +/- .005	ANGLE +/- 1/2° RADIUS .05 T.I.R. .010	THIS DOCUMENT IS A PROPERTY OF STREAM-FLO INDUSTRIES LTD. AND NOT TO BE USED IN ANY WAY PREJUDICIAL TO THEIR INTERESTS. ALL PROPRIETARY RIGHTS RESERVED.	4505 - 74 AVE. EDMONTON, ALTA. CANADA
				CHCK.	VN	02-06-23				
				APPR.	JG	02-06-23				
				BY		DATE				