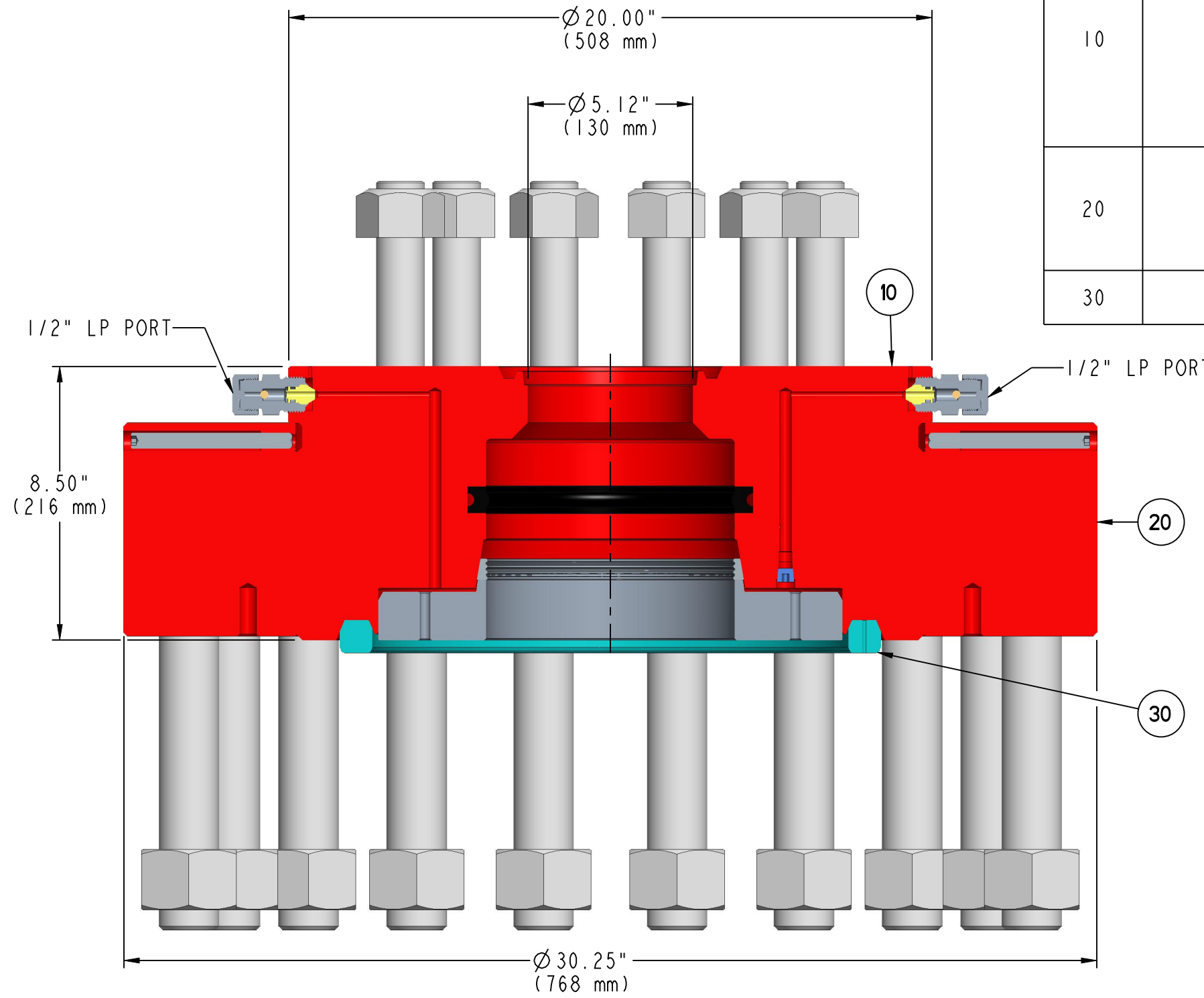


PART NUMBER 30204272 (LEGACY PART: WH-23112)	HEAT TREAT	MATERIAL		WEIGHT APPROX 1650 lbs SCALE 0.250	YPF ARGENTINA CATALOG DRAWING ADAPTER FLANGE ASSEMBLY 13-5/8 10000 RSF THREADED FLANGE BOTTOM X 5-1/8 15000 STUDDED TOP WITH 7-5/8 DRI METAL SEAL AND 7-5/8 FS SEAL FOR 6 EFFECTIVE LENGTH EXTENDED NECK HANGER COMES WITH THREADED FLANGE AND GASKET	DWG. No. RB-42893
		SPEC	DWG No			

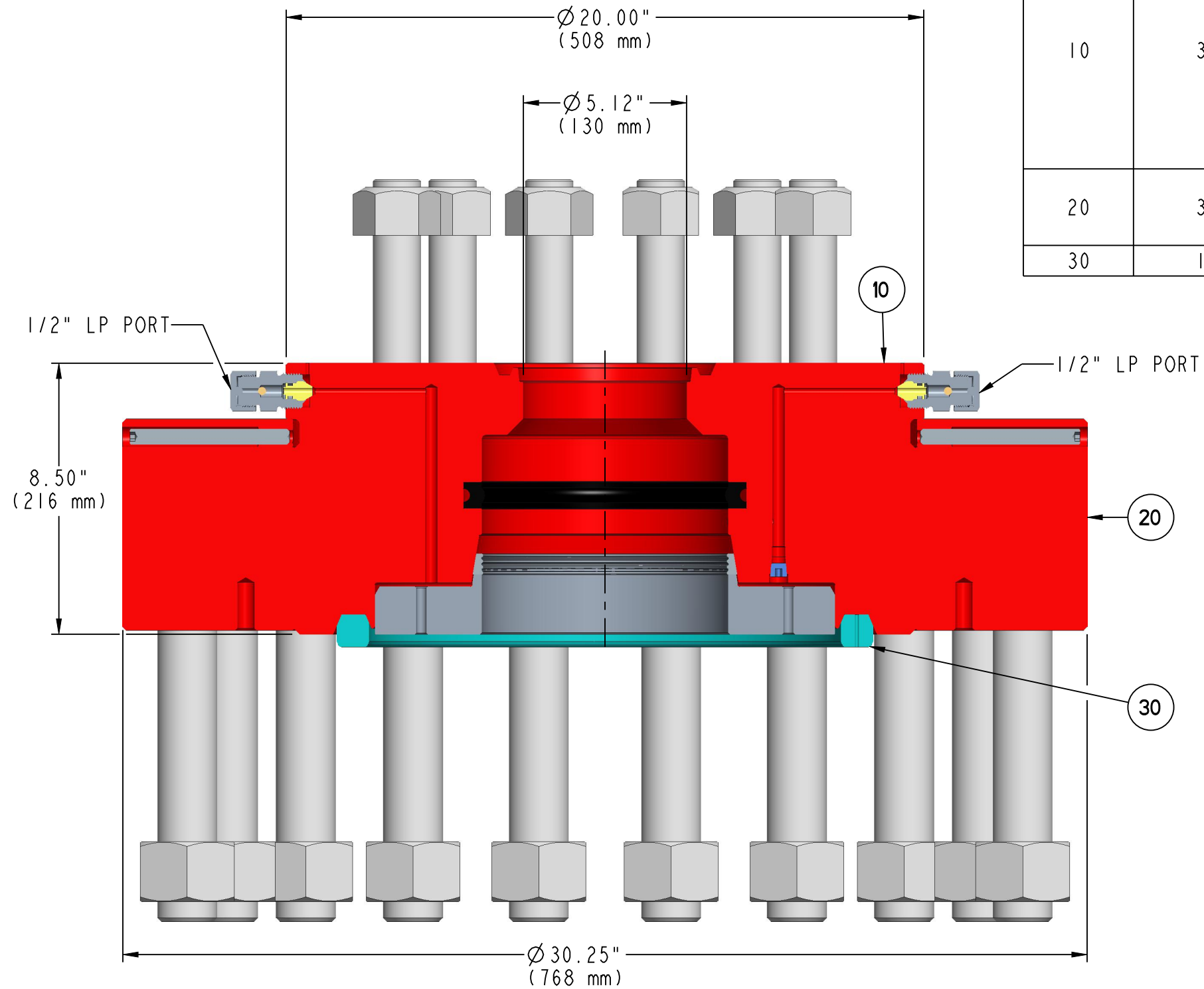
LIST OF MATERIALS			
ITEM	PART NUMBER	DESCRIPTION	QTY.
10	30201453	STREAM-FLO CROWN ADAPTER FLANGE DR-1 19.500-2 STUB ACME-2G RH PIN THREAD BOTTOM FOR 13-5/8 10000 RSF THREADED FLANGE AND BX-159 GROOVE OEC X 5-1/8 15000 STUDDED TOP 7-5/8 TYPE DR-1 METAL SEAL AND ONE 7-5/8 FS-SEAL FOR 6 EFFECTIVE LENGTH EXTENDED NECK HANGER TYPE FM DUAL BARRIER SEAL 5.12 BORE 8.50 LONG PHOSPHATE COATED API 6A PUEE PSL-3 PR2F	1
20	30201454	STREAM-FLO CROWN THREADED FLANGE RING RSF 13-5/8 10000 FLANGE STUDDED BOLT PATTERN X 19.500-2 STUB ACME-2G RH INTERNAL THREADS 6.62 LONG NON-EXPOSED (B7/2H) BOLTING API 6A PUDD PSL-2	1
30	10011697	RING GASKET BX-159 LOW CARBON STEEL PLATED S-4 API 6A	1



DWN.	JKC	02-01-23	ALL DIMENSIONS IN INCHES UNLESS OTHERWISE NOTED: .X +/- .1 .XX +/- .02 .XXX +/- .005		ANGLE +/- 1/2° RADII .05 T.I.R. .010	THIS DOCUMENT IS A PROPERTY OF STREAM-FLO INDUSTRIES LTD. AND NOT TO BE USED IN ANY WAY PREJUDICIAL TO THEIR INTERESTS. ALL PROPRIETARY RIGHTS RESERVED.		4505 - 74 AVE. EDMONTON, ALTA. CANADA
CHCK.	GAK	02-01-23						
APPR.	JG	02-01-23						
REV.	EC	BY	DATE	BY	DATE			

PART NUMBER 30204272 (LEGACY PART: WH-23112)	HEAT TREAT	MATERIAL		WEIGHT APPROX 1650 lbs SCALE 0.250	YPF ARGENTINA CATALOG DRAWING ADAPTER FLANGE ASSEMBLY 13-5/8 10000 RSF THREADED FLANGE BOTTOM X 5-1/8 15000 STUDDED TOP WITH 7-5/8 DRI METAL SEAL AND 7-5/8 FS SEAL FOR 6 EFFECTIVE LENGTH EXTENDED NECK HANGER COMES WITH THREADED FLANGE AND GASKET	DWG. No. RB-42893
		SPEC	DWG No			REV: 0 SHEET 2 OF 2

LISTA DE MATERIALES			
ARTICULO	NUMERO DE PARTE	DESCRIPCION	CANT.
10	30201453	BRIDA ADAPTADORA STREAM-FLO CROWN MODELO DR-1 CON ROSCA MACHO 19.500-2 STUB ACME-2G INFERIOR PARA BRIDA ROSCADA 13-5/8 10000 RSF Y ANILLO BX-159 INFERIOR X 5-1/8 15000 SUPERIOR ESPARRAGADO INCLUYE PREPARACION PARA SELLO METAL-METAL DR-1 CON SELLO ELASTOMERICO DE RESPALDO TIPO FS INCLUYE PREPARACION PARA SELLO METAL-METAL DOBLE BARRERA FM 5.12 BORE 8.50 LARGO API 6A PUEE PSL-3 PR2F	1
20	30201454	BRIDA GIRATORIA CON ROSCA INTERNA 19.500-2 STUB ACME-2G RH 13-5/8 10000, API 6A PU/DD/PSL-2	1
30	10011697	ANILLO BX-159 ACERO BAJO CARBONO S-4 API 6A	1



DWN.	JKC	02-01-23	ALL DIMENSIONS IN INCHES UNLESS OTHERWISE NOTED: .X +/- .1 .XX +/- .02 .XXX +/- .005	 ANGLE +/- 1/2°  RADI .05  T.I.R. .010	THIS DOCUMENT IS A PROPERTY OF STREAM-FLO INDUSTRIES LTD. AND NOT TO BE USED IN ANY WAY PREJUDICIAL TO THEIR INTERESTS. ALL PROPRIETARY RIGHTS RESERVED.	 4505 - 74 AVE. EDMONTON, ALTA. CANADA
CHCK.	GAK	02-01-23				
APPR.	JG	02-01-23				
REV.	EC	BY	DATE	BY	DATE	