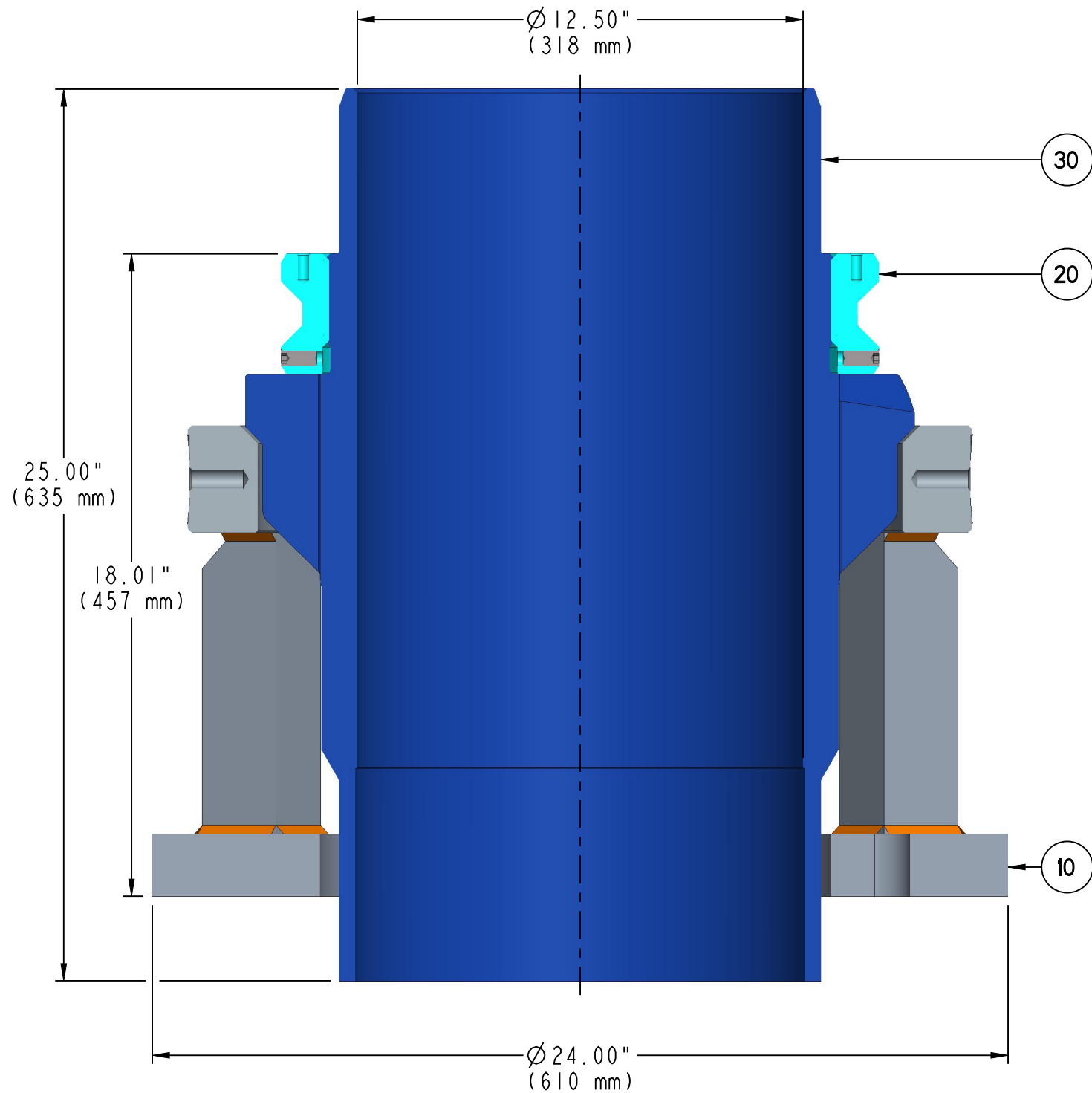


PART NUMBER 30204269 (LEGACY PART: WH-23107)	HEAT TREAT	MATERIAL		WEIGHT APPROX 680 lbs SCALE 0.250	YPF ARGENTINA CATALOG DRAWING LANDING BASE AND STARTER MANDREL ASSEMBLY COMPLETE WITH CRS MANDREL HANGER 20 X 13-3/8 TXP BTC 54.5 LB/FT PIN BOTTOM THREADED SHOULDER RING FOR CRS QUICK CONNECT OEC AND 24 OD LANDING BASE	DWG. No. RB-42878
		SPEC	DWG No			REV: 0 SHEET 1 OF 2



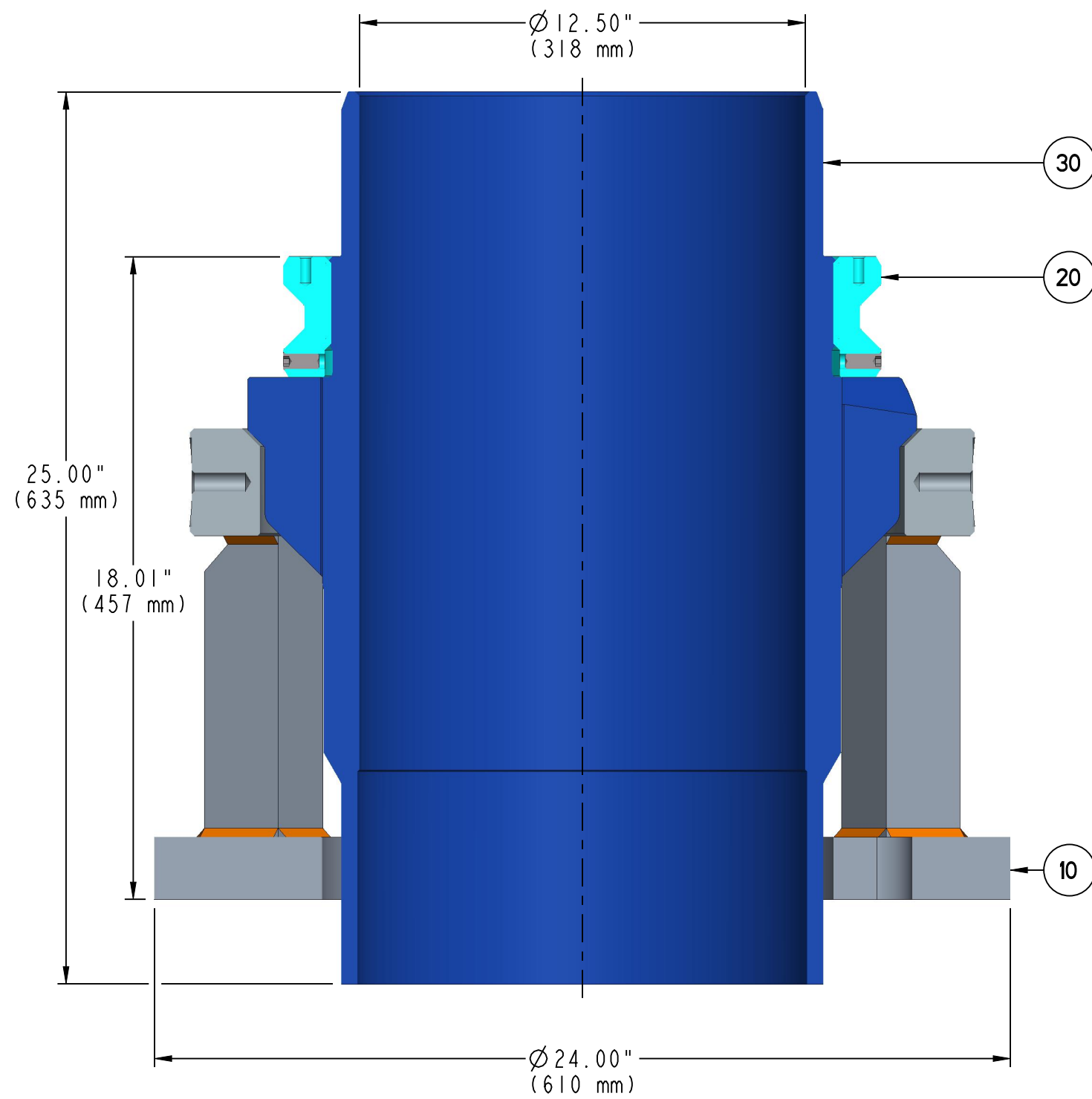
LIST OF COMPONENTS			
ITEM	PART NUMBER	DESCRIPTION	QTY
10	30201425	STREAM-FLO CROWN LANDING BASE ASSEMBLY WITH SIX RIBS FOR 13-5/8 NOMINAL TYPE CRS MANDREL CASING HANGER WITH 18.00 OD LANDING CENTRALIZER AND 13-3/8 OR 10-3/4 CASING BOTTOM 24.00 OUTSIDE DIAMETER 14.62 INNER DIAMETER 13.19 LONG 500000 lbf MAX LOAD	1
20	30011383	STREAM-FLO CROWN THREADED SHOULDER RING CRS 14.375-2 STUB ACME-3G RH INTERNAL THREADS FOR USE WITH CRS QUICK CONNECT OEC 3.38 LONG UAA PSL-2 PR2	1
30	30201433	STREAM-FLO CROWN MANDREL CASING HANGER CRS 20 NOMINAL X BLANK BOTTOM FOR 13-3/8 TENARIS XP BUTTRESS (54.5 lb/ft) PIN THREAD X 14.375-2 STUB ACME-3G RH PIN TOP 13.50 DIAMETER X 4.62 LONG SLICK EXTENDED NECK 18.00 OD LANDING CENTRALIZER FOR LANDING BASE SIX FLUTES 18.94 OD 12.50 BORE 25.00 LONG 80 ksi MINIMUM YIELD 8630 MATERIAL API 6A LUDD PSL-2 PRI MAX LOAD 400000 lbs *RUNNING TOOL 30201434	1

DWN.	JKC	01-30-23	ALL DIMENSIONS IN INCHES UNLESS OTHERWISE NOTED: .X +/- .1 .XX +/- .02 .XXX +/- .005		ANGLE +/- 1/2° RADII .05 T.I.R. .010
CHCK.	VN	02-01-23			
APPR.	JG	02-01-23			
REV.	EC	BY	DATE	BY	DATE

THIS DOCUMENT IS A PROPERTY OF
STREAM-FLO INDUSTRIES LTD. AND
NOT TO BE USED IN ANY WAY
PREJUDICIAL TO THEIR INTERESTS.
ALL PROPRIETARY RIGHTS RESERVED.



PART NUMBER 30204269 (LEGACY PART: WH-23107)	HEAT TREAT	MATERIAL		WEIGHT APPROX 680 lbs SCALE 0.250	YPF ARGENTINA CATALOG DRAWING LANDING BASE AND STARTER MANDREL ASSEMBLY COMPLETE WITH CRS MANDREL HANGER 20 X 13-3/8 TXP BTC 54.5 LB/FT PIN BOTTOM THREADED SHOULDER RING FOR CRS QUICK CONNECT OEC AND 24 OD LANDING BASE	DWG. No. RB-42878
		SPEC	DWG No			REV: 0 SHEET 2 OF 2



LISTA DE MATERIALES			
ARTICULO	NUMERO DE PARTE	DESCRIPCION	CANT.
10	30201425	CONJUNTO PLACA BASE STREAM-FLO CROWN PARA COLGADOR DE CSG MANDRIL CRS 13-5/8 NOMINAL CPN CENTRALIZADOR DE 18 D.E. Y APTO PARA CASING DE 13-3/8 O 13-3/4, PLACA DE APOYO DE 24 DE D.E. Y 14,62 D.I.; 13,19 DE ALTO 500000 lb DE CARGA MAXIMA ADMISIBLE	1
20	30011383	HOMBRO DE CARGA ROSCADO STREAM-FLO CROWN CRS CON ROSCA INTERNA DE 14.375-2 STUB ACME-3G RH PARA USAR CON CONECTOR RAPIDO DE BOP API 6A U/AA/PSL-2/PR-2	1
30	30201433	COLGADOR DE CASING STREAM-FLO CROWN CRS 20 NOMINAL CON PREPARACION CIEGA APTA APARA ROSCAR 13-3/8 TENARIS XP BUTRESS 54.5 (lb/ft) PIN INFERIOR Y ROSCA DE MANIOBRA 14.375-2 STUB ACME-3G PIN SUPERIOR; 13,50 D.E. Y CUELLO EXTENDIDO DE 4,62 DE LARGO. MATERIAL 80 ksi FLUENCIA MINIMA 400000 lb DE CARGA MAXIMA *USE CON RT 30201434* API 6A LU/DD/PSL-2/PR-1	1

REF:	COMMONSPACE	PROJ: 7883	MODEL: 42878_30204269	DWN. JKC 01-30-23	ALL DIMENSIONS IN INCHES		THIS DOCUMENT IS A PROPERTY OF STREAM-FLO INDUSTRIES LTD. AND NOT TO BE USED IN ANY WAY PREJUDICIAL TO THEIR INTERESTS. ALL PROPRIETARY RIGHTS RESERVED.
				CHCK. VN 02-01-23	UNLESS OTHERWISE NOTED:		
				APPR. JG 02-01-23	.X +/- .1 .XX +/- .02 .XXX +/- .005		
REV.	EC	BY	DATE	BY	DATE	ANGLE +/- 1/2° RADII .05 T.I.R. .010	4505 - 74 AVE. EDMONTON, ALTA. CANADA