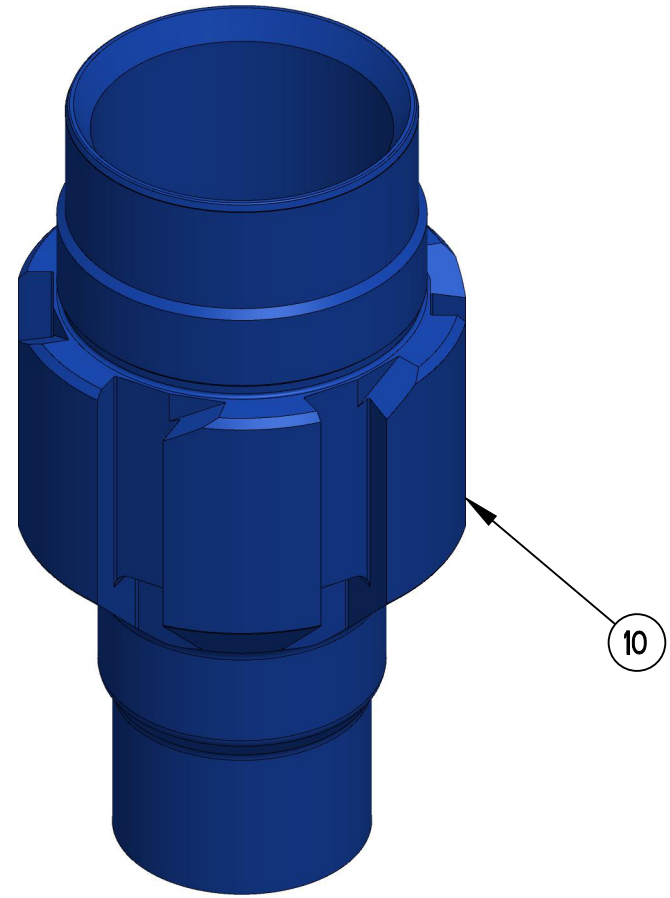
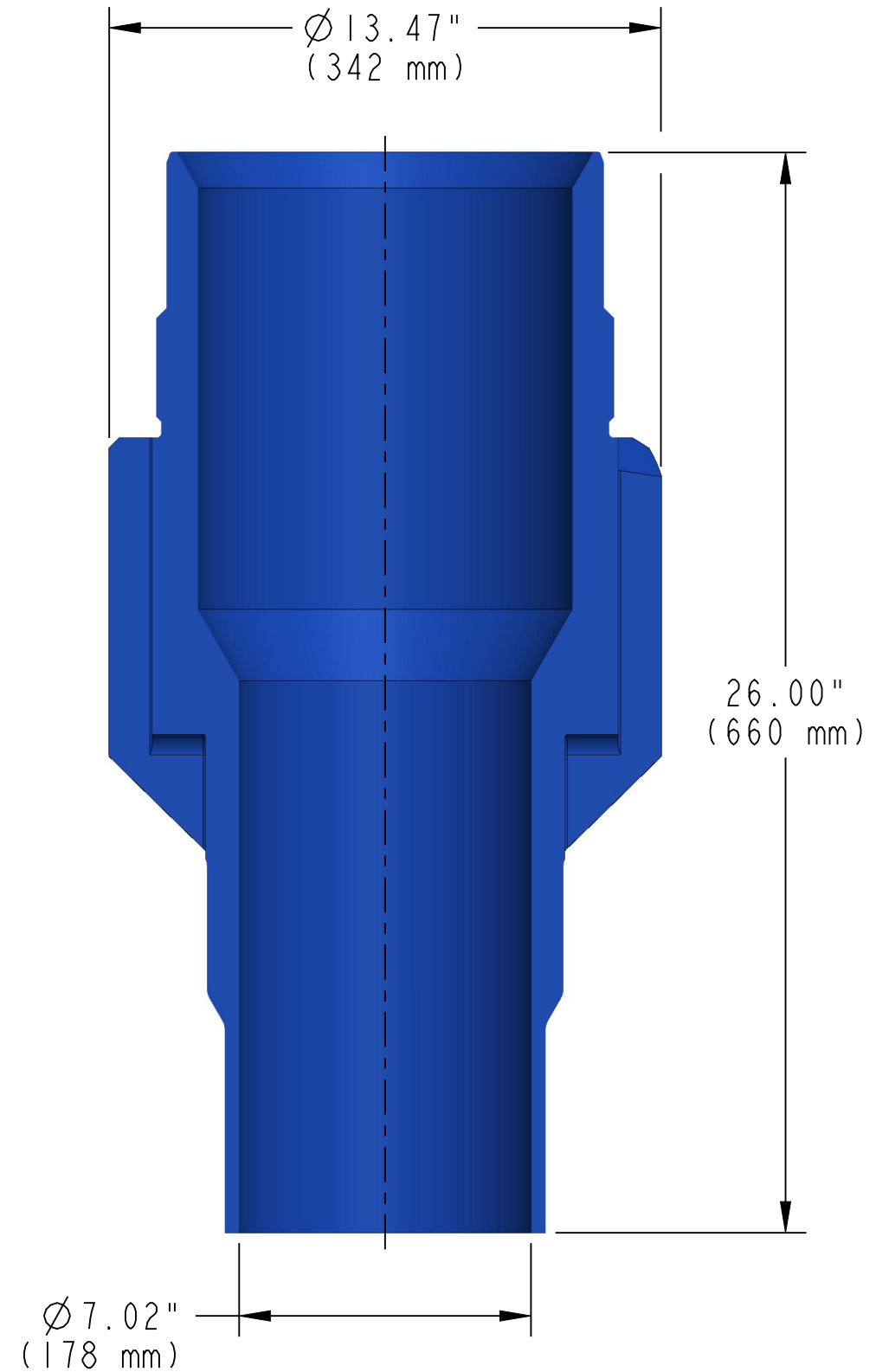


PART NUMBER 30202887 (LEGACY PN: WH-23730)	HEAT TREAT	MATERIAL		WEIGHT APPROX 264 lbs SCALE 0.250	YPF ARGENTINA CATALOG DRAWING CASING HANGER DMLX 13-5/8" NOMINAL 7-5/8" BLANK BOX BOTTOM FOR 24 lb/ft TENARISHYDRIL WEDGE 461 PIN BOTTOM X 11.000-4 STUB ACME-2G RH PIN TOP, SIX FLUTES	DWG. No. RB-42870
		SPEC	DWG No			REV: 0 SHEET 1 OF 2

BILL OF MATERIALS			
ITEM	PART NUMBER	DESCRIPTION	QTY
10	30202887	STREAM-FLO CROWN CASING HANGER MANDREL (MIDDLE STRING FOR 13-5/8 FOUR STRINGS SYSTEM) DMLX 13-5/8 NOMINAL WITH BLANK PREPARATION FOR 7-5/8 TENARISHYDRIL WEDGE 461 (24 lb/ft) PIN BOTTOM X 11.000-4 STUB ACME-2G RH PIN TOP 10.500 SEALING OUTSIDE DIAMETER SLICK NECK WITH SIX FLUTES 7.02 BORE 26.00 LONG 125 ksi MINIMUM YIELD MATERIAL API 6A UAA PSL-2 PRI	1

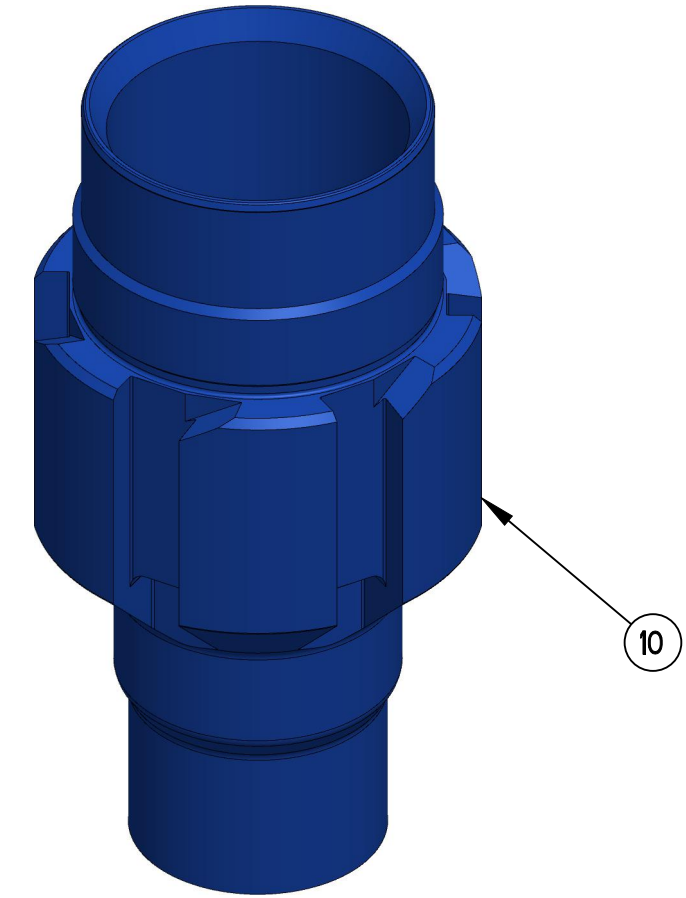
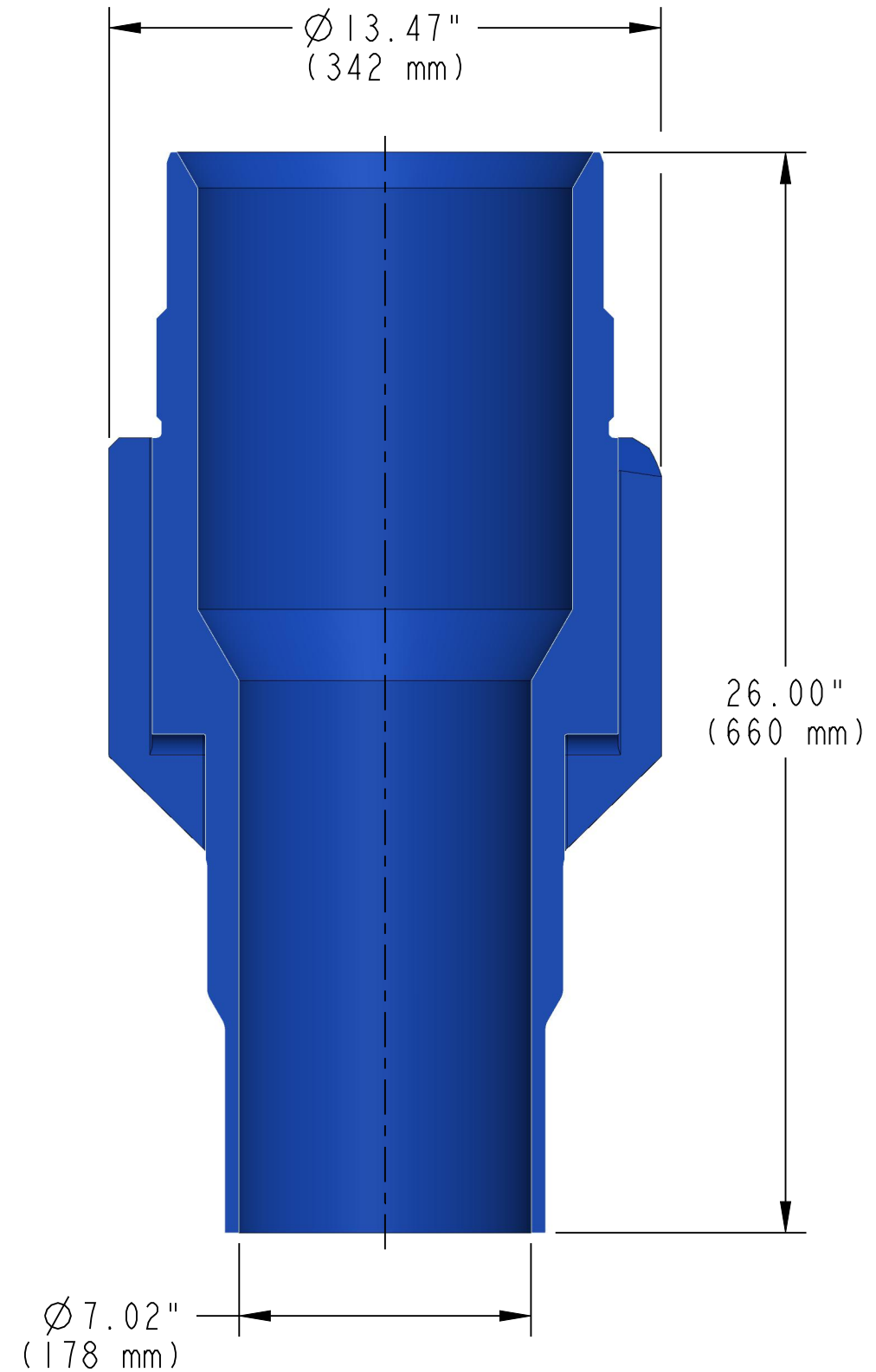


3D VIEW
SCALE 0.175

REV.	EC	BY	DATE	DWN.	ND	02-01-23	ALL DIMENSIONS IN INCHES UNLESS OTHERWISE NOTED: .X +/- .1 .XX +/- .02 .XXX +/- .005	ANGLE +/- 1/2° RADIUS .05 T.I.R. .010	THIS DOCUMENT IS A PROPERTY OF STREAM-FLO INDUSTRIES LTD. AND NOT TO BE USED IN ANY WAY PREJUDICIAL TO THEIR INTERESTS. ALL PROPRIETARY RIGHTS RESERVED.	4505 - 74 AVE. EDMONTON, ALTA. CANADA	
				CHCK.	VN	02-01-23					
				APPR.	RM	02-01-23					
							REF: WH-23730	COMMONSPACE	PROJ: 8082	MODEL: 42870_30202887	DWG: 42870_30202887

PART NUMBER 30202887 (LEGACY PN: WH-23730)	HEAT TREAT	MATERIAL		WEIGHT APPROX 264 lbs SCALE 0.250	YPF ARGENTINA CATALOG DRAWING CASING HANGER DMLX 13-5/8" NOMINAL 7-5/8" BLANK BOX BOTTOM FOR 24 lb/ft TENARISHYDRIL WEDGE 461 PIN BOTTOM X 11.000-4 STUB ACME-2G RH PIN TOP, SIX FLUTES	DWG. No. RB-42870
		SPEC	DWG No			REV: 0 SHEET 2 OF 2

LISTA DE MATERIALES			
ARTICULO	NUMERO DE PARTE	DESCRIPCION	CANT.
10	30202887	COLGADOR DE CASING TIPO MANDREL 13-5/8" NOMINAL X PREPARACION INFERIOR PARA 7-5/8 TENARISHYDRILL WEDGE 461 (24.0 lb/ft) PIN INFERIOR Y ROSCA DE MANIOBRA 11.000-4 STUB ACME-2G RH PIN, CUELLO DE 10.500 DE DIAMETRO DE SELLO CON 6 PASAJES PARA LODO, 10.000PSI, 7.02" BORE, 26" LARGO MATERIAL 125K API 6A UAA PSL-2 PRI	1



3D VIEW
SCALE 0.175

REV.	EC	BY	DATE	DWN.	ND	02-01-23	ALL DIMENSIONS IN INCHES UNLESS OTHERWISE NOTED: .X +/- .1 .XX +/- .02 .XXX +/- .005		THIS DOCUMENT IS A PROPERTY OF STREAM-FLO INDUSTRIES LTD. AND NOT TO BE USED IN ANY WAY PREJUDICIAL TO THEIR INTERESTS. ALL PROPRIETARY RIGHTS RESERVED.		4505 - 74 AVE. EDMONTON, ALTA. CANADA
				CHCK.	VN	02-01-23					
				APPR.	RM	02-01-23					