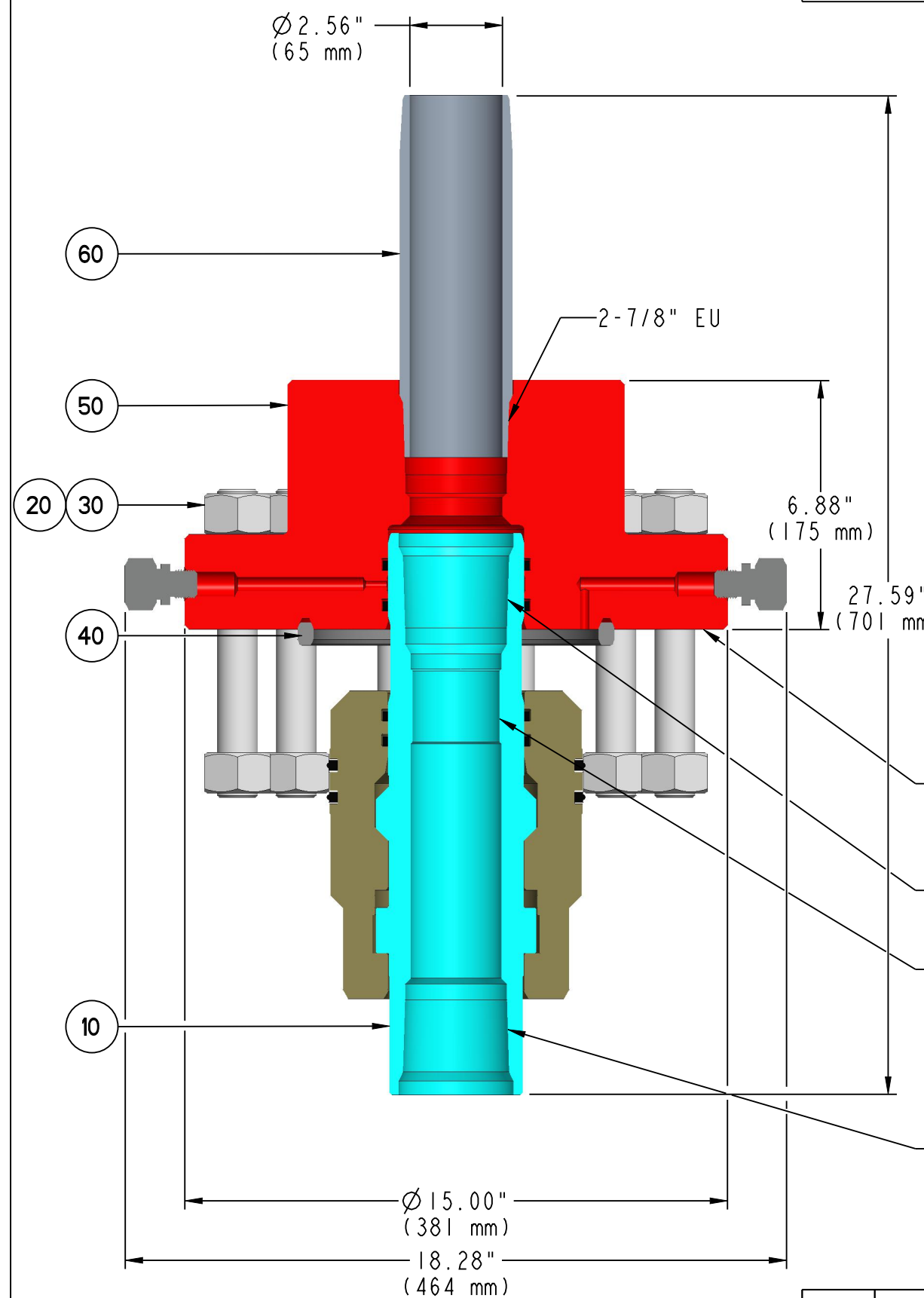



PART NUMBER	HEAT TREAT	MATERIAL		WEIGHT APPROX	YPF ARGENTINA CATALOG DRAWING TUBING HANGER CTC-JSB-2 7 NOMINAL X 2-7/8 EU BOX X BOX EFFECTIVE LENGTH EXTENDED NECK 2-1/2 TYPE H BPV THREAD WITH TUBING HEAD ADAPTER AEN 7-1/16 3000 FLANGED BOTTOM X 2-7/8 EU BOX TOP EXTENDED NECK POCKET COMES WITH R-45 RING GASKET B7/2H BOLTING AND NIPPLE 2-7/8 EU PIN X PIN	DWG. No. <b>RB-43043</b>
		SPEC	DWG No	330 lbs		
<b>30204293</b>				SCALE 0.250		REV: 0 SHEET 1 OF 2

BILL OF MATERIALS			
ITEM	PART NUMBER	DESCRIPTION	QTY
10	30204288	STREAM-FLO CROWN TUBING HANGER CTC-JSB-2 7-1/16 NOMINAL J SLOT BUSHING X 2-7/8 EU BOX BOTTOM X TOP 2-1/2 TYPE H BPV THREAD LANDING COUPLING WITH 4.42 OD LUGS TO FIT 5-1/2 CASING (26.8 lb/ft MAXIMUM) 3.75 DIAMETER X 2.85 EFFECTIVE LENGTH PLAIN EXTENDED NECK 2.40 BORE 15.50 LONG FOR 7.12 DEEP BOWL 10000 psi RWP API 6A PUDD PSL-3 PRI	1
20	10012560	STUD 1-1/8 8UN X 8-1/2 FULL THREAD MINIMUM (8-7/8 OVERALL LENGTH MAXIMUM) ASTM A193 GRADE B7 STANDARD SERVICE API 6A BSL-1	12
30	10007397	NUT 1-1/8 8UN ASTM A194 GRADE 2H STANDARD SERVICE API 6A BSL-1	24
40	10011794	RING GASKET OVAL R-45 LOW CARBON STEEL PLATED S-4 API 6A	1
50	30204291	STREAM-FLO CROWN TUBING HEAD ADAPTER AEN 7-1/16 3000 FLANGE BOTTOM X 2-7/8 EU BOX TOP WITH 3.75 DIAMETER X 2.88 DEEP SEAL POCKET FOR SLICK EXTENDED NECK HANGER (R OR RX GASKET) 2.56 BORE 6.88 LONG API 6A PUDD PSL-1 PRI	1
60	10008104	NIPPLE 2-7/8 EU PIN X PIN 3.12 OD X 2.56 BORE 10 LONG 75 ksi MINIMUM YIELD MATERIAL 5000 psi RWP	1



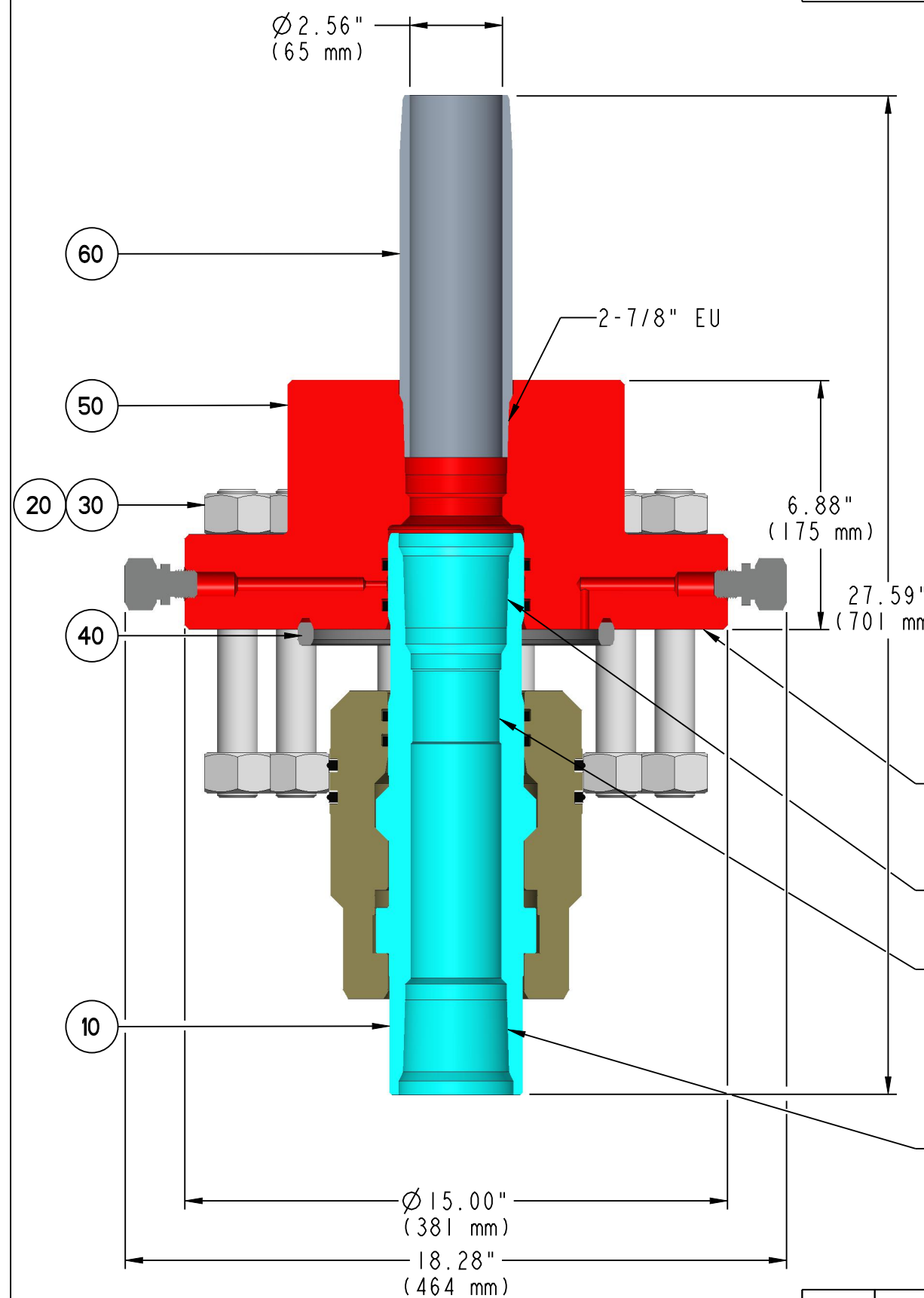
7-1/16" 3000  
2-7/8" EU  
2-1/2" H BPV THREAD  
Ø 2.40" BORE  
(61 mm)  
2-7/8" EU

REV.	EC	BY	DATE	DWN.	NL	02-27-23	ALL DIMENSIONS IN INCHES UNLESS OTHERWISE NOTED: .X +/- .1 .XX +/- .02 .XXX +/- .005 ANGLE +/- 1/2° RADIUS .05 T.I.R. .010	THIS DOCUMENT IS A PROPERTY OF STREAM-FLO INDUSTRIES LTD. AND NOT TO BE USED IN ANY WAY PREJUDICIAL TO THEIR INTERESTS. ALL PROPRIETARY RIGHTS RESERVED.	 4505 - 74 AVE. EDMONTON, ALTA. CANADA
0			CHCK.	JG	02-27-23				
			APPR.	RM	02-27-23				
REF:	COMMONSPACE	PROJ:8556	MODEL: YPF-CTC-JSB-278-HGR-ADP	DWG: YPF-CTC-JSB-278-HGR-ADP					

PART NUMBER	HEAT TREAT	MATERIAL		WEIGHT APPROX	YPF ARGENTINA CATALOG DRAWING TUBING HANGER CTC-JSB-2 7 NOMINAL X 2-7/8 EU BOX X BOX EFFECTIVE LENGTH EXTENDED NECK 2-1/2 TYPE H BPV THREAD WITH TUBING HEAD ADAPTER AEN 7-1/16 3000 FLANGED BOTTOM X 2-7/8 EU BOX TOP EXTENDED NECK POCKET COMES WITH R-45 RING GASKET B7/2H BOLTING AND NIPPLE 2-7/8 EU PIN X PIN	DWG. No. <b>RB-43043</b>
		SPEC	DWG No	330 lbs		
<b>30204293</b>				SCALE 0.250		REV: 0 SHEET 2 OF 2

**LISTA DE MATERIALES**

ARTICULO	NUMERO DE PARTE	DESCRIPCION	CANT.
10	30204288	TENSION HANGER STREAM-FLO MODELO CTC-JSB-2 7-1/16" NOMINAL CON BUJE DE RANURAS J X 2-7/8" EU BOX SUPERIOR E INFERIOR VON PREPARACION PARA BPV "H" DE 2-1/2" APTO PARA CORRER DENTRO DE CASING DE HASTA 5-1/2" 26,8#, 3,75" DE Y 2,85" LONGITUD EFECTIVA EN EL CUELLO EXTENDIDO, 2,40" BORE, 15,50" LONG API 6A PU/DD/PSL3/PR1	1
20	10012560	ESPARRAGO 1-1/8 8UN X 8-1/2 TOTALMENTE ROSCADO (8-7/8 LONGITUD MAXIMA TOTAL) ASTM A193 GRADE B7 STANDARD SERVICE API 6A BSL-1	12
30	10007397	TUERCA 1-1/8 8UN ASTM A194 GRADE 2H STANDARD SERVICE API 6A BSL-1	24
40	10011794	RING GASKET OVALADA R-45 ACERO AL CARBONO S-4 API 6A	1
50	30204291	BRIDA ADAPTADORA DE CABEZA DE TUBING MODELO STREAM-FLO CROWN CON BRIDE DE 7-1/16" 3000 X ROSCA 2-7/8" EU BOX SUPERIOR PARA LAOJAR CUELLO EXTENDIDO DE 3.75" DE DIAMETRO Y 2.88" DE LONGITUD EFECTIVA 2.56" BORE 6.88" LONG API 6A P-U/DD/PSL-1/PR-1	1
60	10008104	NIPPLE 2-7/8 EU PIN X PIN 3.12 DE X 2.56 BORE 10 LARGO 75 ksi FLUENCIA MINIMAAL 5000 psi RWP	1



7-1/16" 3000  
2-7/8" EU  
2-1/2" H BPV THREAD  
Ø 2.40" BORE  
(61 mm)  
2-7/8" EU

REV.	EC	BY	DATE	DWN.	NL	02-27-23	ALL DIMENSIONS IN INCHES UNLESS OTHERWISE NOTED: .X +/- .1 .XX +/- .02 .XXX +/- .005	ANGLE +/- 1/2° RADIUS .05 T.I.R. .010	THIS DOCUMENT IS A PROPERTY OF STREAM-FLO INDUSTRIES LTD. AND NOT TO BE USED IN ANY WAY PREJUDICIAL TO THEIR INTERESTS. ALL PROPRIETARY RIGHTS RESERVED.	4505 - 74 AVE. EDMONTON, ALTA. CANADA
				CHCK.	JG	02-27-23				
				APPR.	RM	02-27-23				
REF:	COMMONSPACE	PROJ:8556	MODEL: YPF-CTC-JSB-278-HGR-ADP							DWG: YPF-CTC-JSB-278-HGR-ADP