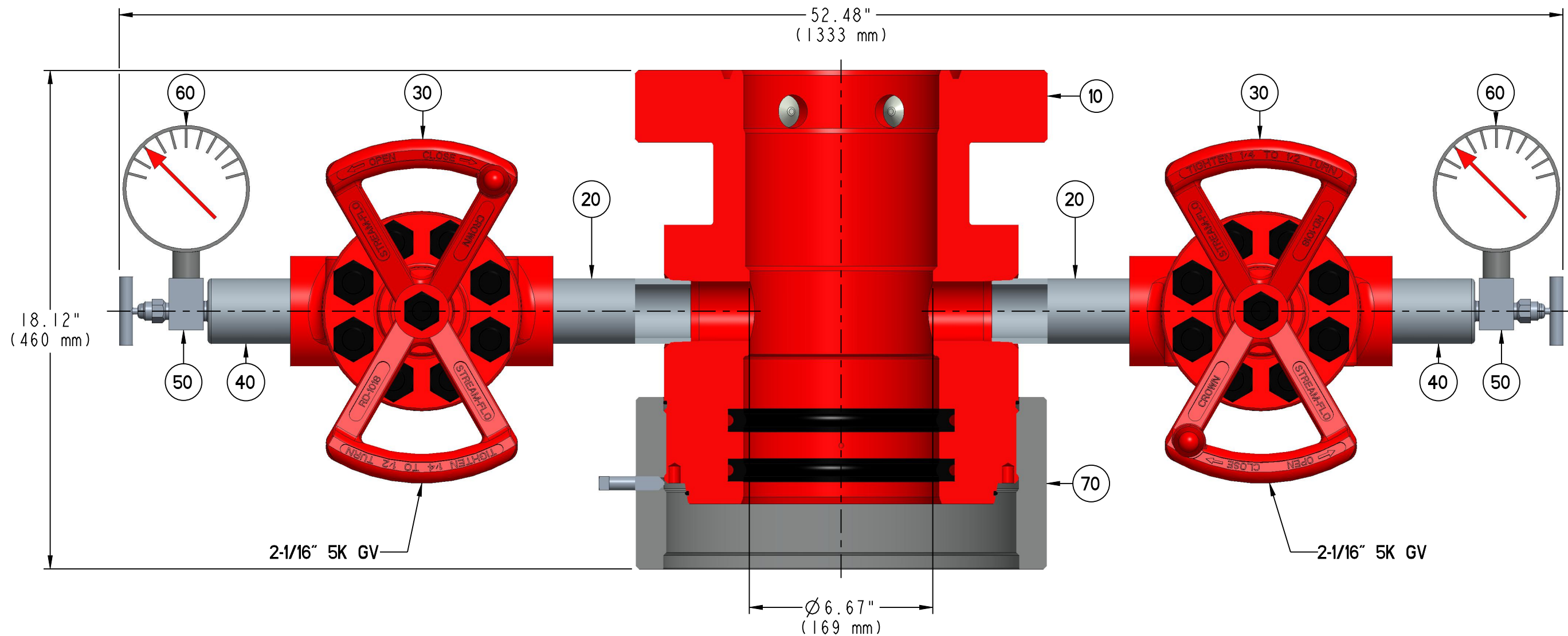


PART NUMBER 30204039 (LEGACY PART: 90023449)	HEAT TREAT	MATERIAL		WEIGHT APPROX 741 lbs SCALE 0.250	YPF ARGENTINA CATALOG DRAWING TUBING HEAD ASSEMBLY CTCM 11" HES-RSC OEC BOTTOM X 7-1/16" FLANGE TOP, TWO 2" LINE PIPE SIDE OUTLETS WITH ONE 2" LINE PIPE GATE VALVE PER SIDE	DWG. No. RB-42918
		SPEC	DWG No			REV: 0 SHEET 1 OF 2

**BILL OF MATERIALS**

ITEM	PART NUMBER	DESCRIPTION	QTY
10	30202162	TUBING HEAD CTCM 11 5000 HES-RSC OEC BOTTOM X 7-1/16 3000 FLANGE TOP TWO 2 LINE PIPE SIDE OUTLETS FOUR P-121 LOCKDOWNS AND DUAL 7 FS SEALS WITH 5.38 DEEP SECONDARY PREPARATION FOR 4.38 EFFECTIVE LENGTH HANGER 6.67 BORE 15.75 LONG API 6A PUDD PSL-1 PRI	1
20	10008183	NIPPLE SEAMLESS 2 NPT MALE X 2 NPT MALE X 6.00 LONG XXH ASTM A106 GRADE B	2
30	30001273	GATE VALVE 2-1/16 API 5000 2 LP ENDS LD TRIM API 6A LUDD PSL-1 PRI	2
40	10003555	BULLPLUG 2 LP X 1/2 LP XXH CARBON STEEL 5000 psi RWP COATED WITH DRY FILM LUBRICANT	2
50	10008356	NEEDLE VALVE ANGLE 1/2 NPT MALE X FEMALE 10000 psi RWP CARBON STEEL	2
60	10006146	PRESSURE GAUGE 0-3000 psi DUAL SCALE 1/2 NPT LOWER MOUNT 316SS CONNECTION 4 FACE SILICONE FILLED NACE MR0175	2
70	30016847	COLLAR HES 11 RSC RIGHT HAND BOX THREAD BOTTOM X LEFT HAND BOX THREAD TOP 14.94 OD X 6.25 LONG 5000 psi RWP API 6A PUA PSL-2 PRI *REFERENCE INSTALLATION TOOL KIT HE-TOOLS-00*	1



REV.	EC	BY	DATE	DWN.	NL	01-10-23	ALL DIMENSIONS IN INCHES UNLESS OTHERWISE NOTED: .X +/- .1 .XX +/- .02 .XXX +/- .005 ANGLE +/- 1/2° RADII .05 T.I.R. .010
				CHCK.	VN	01-10-23	
				APPR.	RM	01-11-23	

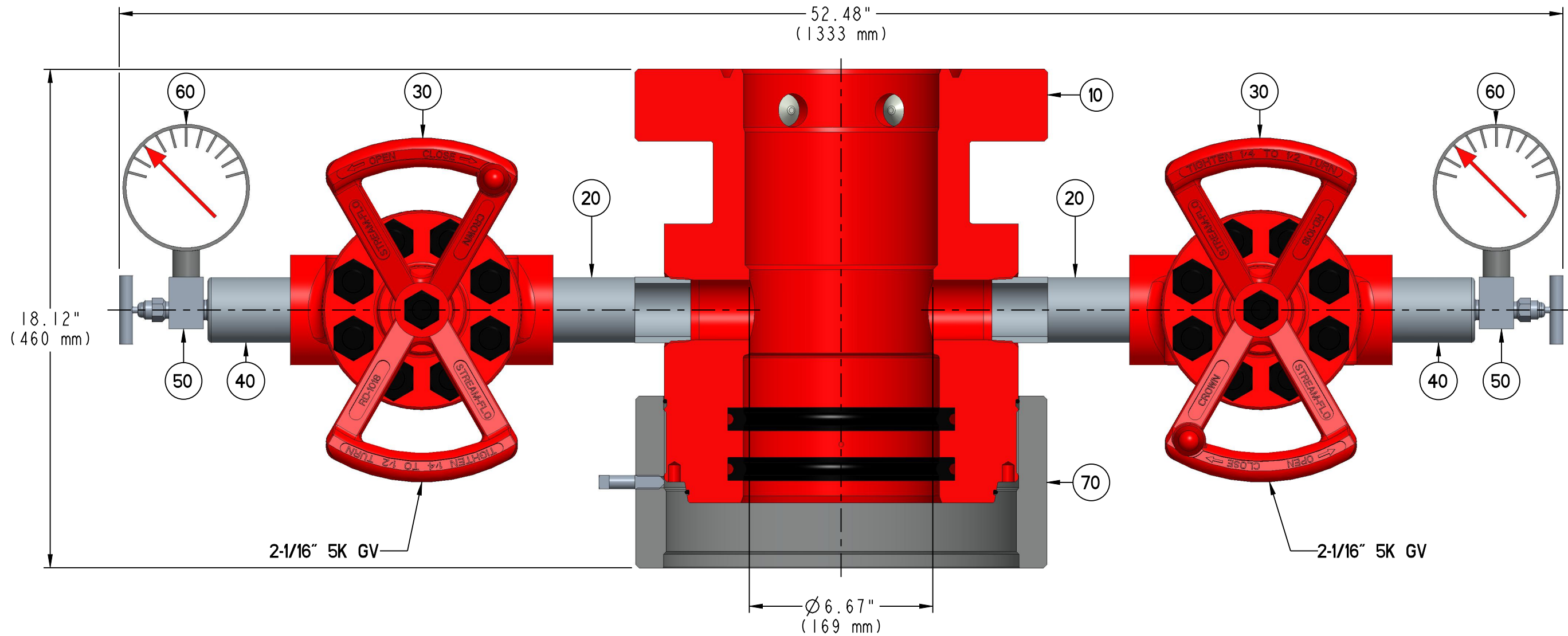
THIS DOCUMENT IS A PROPERTY OF  
STREAM-FLO INDUSTRIES LTD. AND  
NOT TO BE USED IN ANY WAY  
PREJUDICIAL TO THEIR INTERESTS.  
ALL PROPRIETARY RIGHTS RESERVED.

4505 - 74 AVE.  
EDMONTON, ALTA.  
CANADA

PART NUMBER 30204039 (LEGACY PART: 90023449)	HEAT TREAT	MATERIAL		WEIGHT APPROX 741 lbs	YPF ARGENTINA CATALOG DRAWING TUBING HEAD ASSEMBLY CTCM 11" HES-RSC OEC BOTTOM X 7-1/16" FLANGE TOP, TWO 2" LINE PIPE SIDE OUTLETS WITH ONE 2" LINE PIPE GATE VALVE PER SIDE	DWG. No. RB-42918
		SPEC	DWG No	SCALE 0.250		REV: 0 SHEET 2 OF 2

LISTA DE MATERIALES

ARTICULO	NUMERO DE PARTE	DESCRIPCION	CANT.
10	30202162	TUBING HEAD CTCM 11 5000 HES-RSC OEC INFERIOR X BRIDA 7-1/16 3000 SUPERIOR Y DOS SALIDAS LATERALES ROSCADAS 2 LP Y CUATRO PERNOS P-121, DOBLE SELLO FS; 6.67 BORE 15.75 LARGO API 6A PUDD PSL-1 PRI	1
20	10008183	NIPLE SIN COSTURA 2" NPT MACHO X MACHO 6" DE LONGITUD XXH SEGUN ASTM A106 GR B	2
30	30001273	VALVULA ESCLUSA EXTREMOS ROSCADOS 2-1/16 API 5000, 2 LP, API 6A LUDD-NL PSL-1 PRI	2
40	10003555	BULLPLUG 2" LP X 1/2" NPT XXH 5000 psi ACERO AL CARBONO CON PROTECCION DE PELICULA SECA	2
50	10008356	VALVULA AGUJA 1/2 NPT 90 GRADOS MACHO-HEMBRA 10000 psi ACERO AL CARBONO	2
60	10006146	MANOMETRO DE ESCALA DUAL 0-3000 psi CONEXION 1/2" NPT ACERO INOXIDABLE CON RELLENO DE SILICONA	2
70	30016847	CONECTOR RAPIDO HES II RSC ROSCA DERECHA INFERIOR X ROSCA IZQUIERDA SUPERIOR; 5000 psi API 6A PUAA PSL-2 PRI	1



REV.	EC	BY	DATE	DWN.	NL	01-10-23	ALL DIMENSIONS IN INCHES UNLESS OTHERWISE NOTED: .X +/- .1 .XX +/- .02 .XXX +/- .005	ANGLE +/- 1/2° RADIUS .05 T.I.R. .010
				CHCK.	VN	01-10-23		
				APPR.	RM	01-11-23		

THIS DOCUMENT IS A PROPERTY OF STREAM-FLO INDUSTRIES LTD. AND NOT TO BE USED IN ANY WAY PREJUDICIAL TO THEIR INTERESTS. ALL PROPRIETARY RIGHTS RESERVED.

