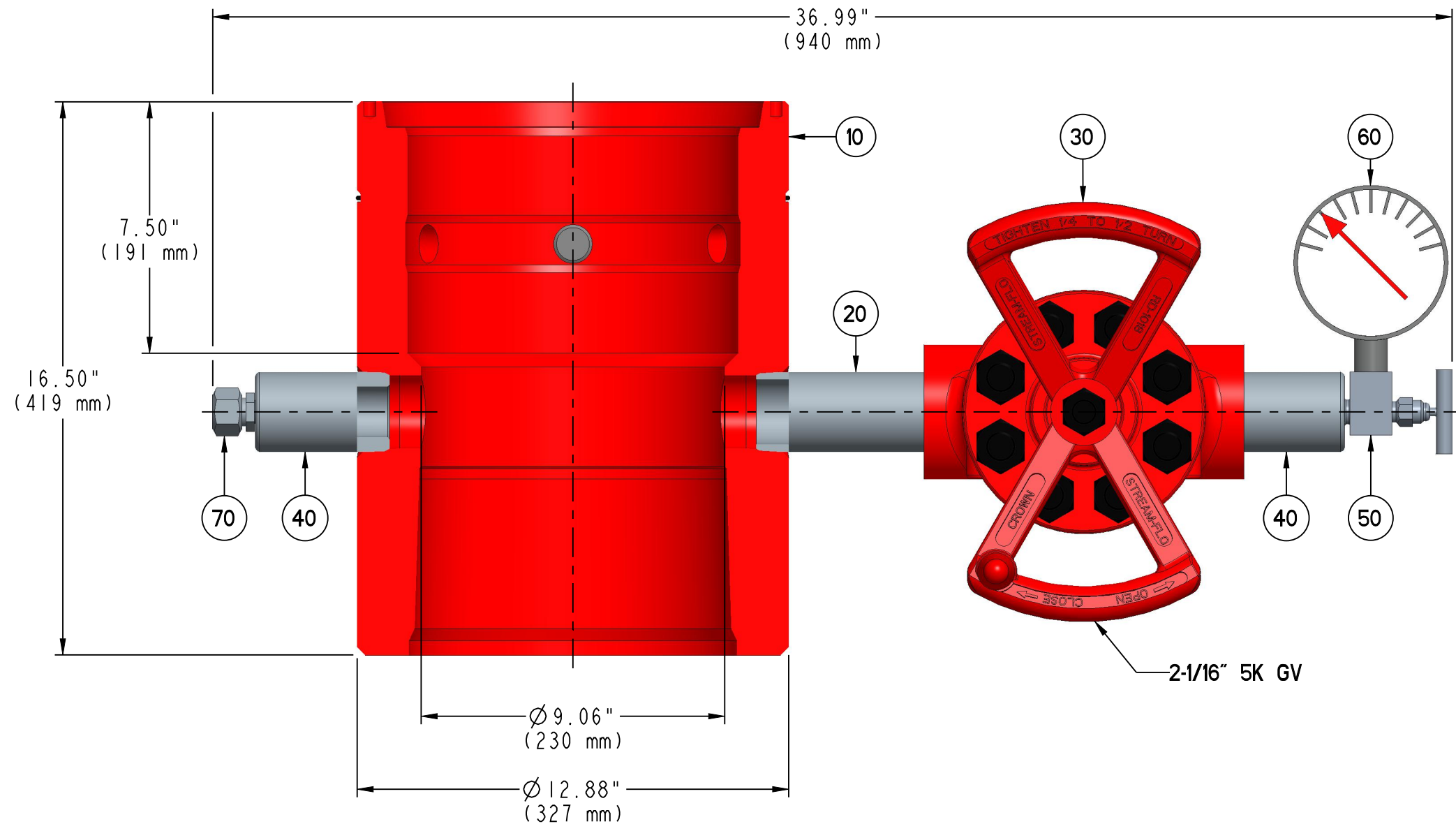
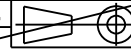


PART NUMBER 30204040 (LEGACY PART: 90024036)	HEAT TREAT	MATERIAL		WEIGHT APPROX	YPF ARGENTINA CATALOG DRAWING CASING HEAD ASSEMBLY HES RSC 11" TOP X 9-5/8" LONG CASING BOTTOM, TWO 2" LINE PIPE SIDE OUTLETS AND ONE 2" LINE PIPE GATE VALVE	DWG. No. RB-42900
		SPEC	DWG No	410 lbs		
				SCALE 0.250		REV: 0 SHEET 1 OF 2

**BILL OF MATERIALS**

ITEM	PART NUMBER	DESCRIPTION	QTY
10	30016962	CASING HEAD HES RSC 11 TOP X 9-5/8 LONG CASING BOTTOM TWO 2 LINE PIPE SIDE OUTLETS SIX 1 LINE PIPE PORTS FOR INTERNAL LOCKING PINS 9.06 BORE 16.50 LONG 9.875 SEAL DIAMETER 5000 psi RWP API 6A PUA PSL-1 PRI *RUNNING TOOL HE-RTIIRSCX958LTC-00	1
20	10008183	NIPPLE SEAMLESS 2 NPT MALE X 2 NPT MALE X 6.00 LONG XXH ASTM A106 GRADE B	1
30	30001273	GATE VALVE 2-1/16 API 5000 2 LP ENDS LD TRIM API 6A LUDD PSL-1 PRI	1
40	10003555	BULLPLUG 2 LP X 1/2 LP XXH CARBON STEEL 5000 psi RWP COATED WITH DRY FILM LUBRICANT	2
50	10008356	NEEDLE VALVE ANGLE 1/2 NPT MALE X FEMALE 10000 psi RWP CARBON STEEL	1
60	10006146	PRESSURE GAUGE 0-3000 psi DUAL SCALE 1/2 NPT LOWER MOUNT 316SS CONNECTION 4 FACE SILICONE FILLED NACE MR0175	1
70	10006178	GREASE FITTING 1/2 NPT AISI 4140 BODY VENTED CAP WITH GIANT BUTTON HEAD ZINC-COBALT PLATED NACE MR0175 10000 psi RWP	1



DWN.	NL	01-10-23	ALL DIMENSIONS IN INCHES UNLESS OTHERWISE NOTED: .X +/- .1 .XX +/- .02 .XXX +/- .005	 ANGLE +/- 1/2° RADII .05 T.I.R. .010	
CHCK.	VN	01-10-23			
APPR.	RM	01-11-23			
REV.	EC	BY	DATE	BY	DATE

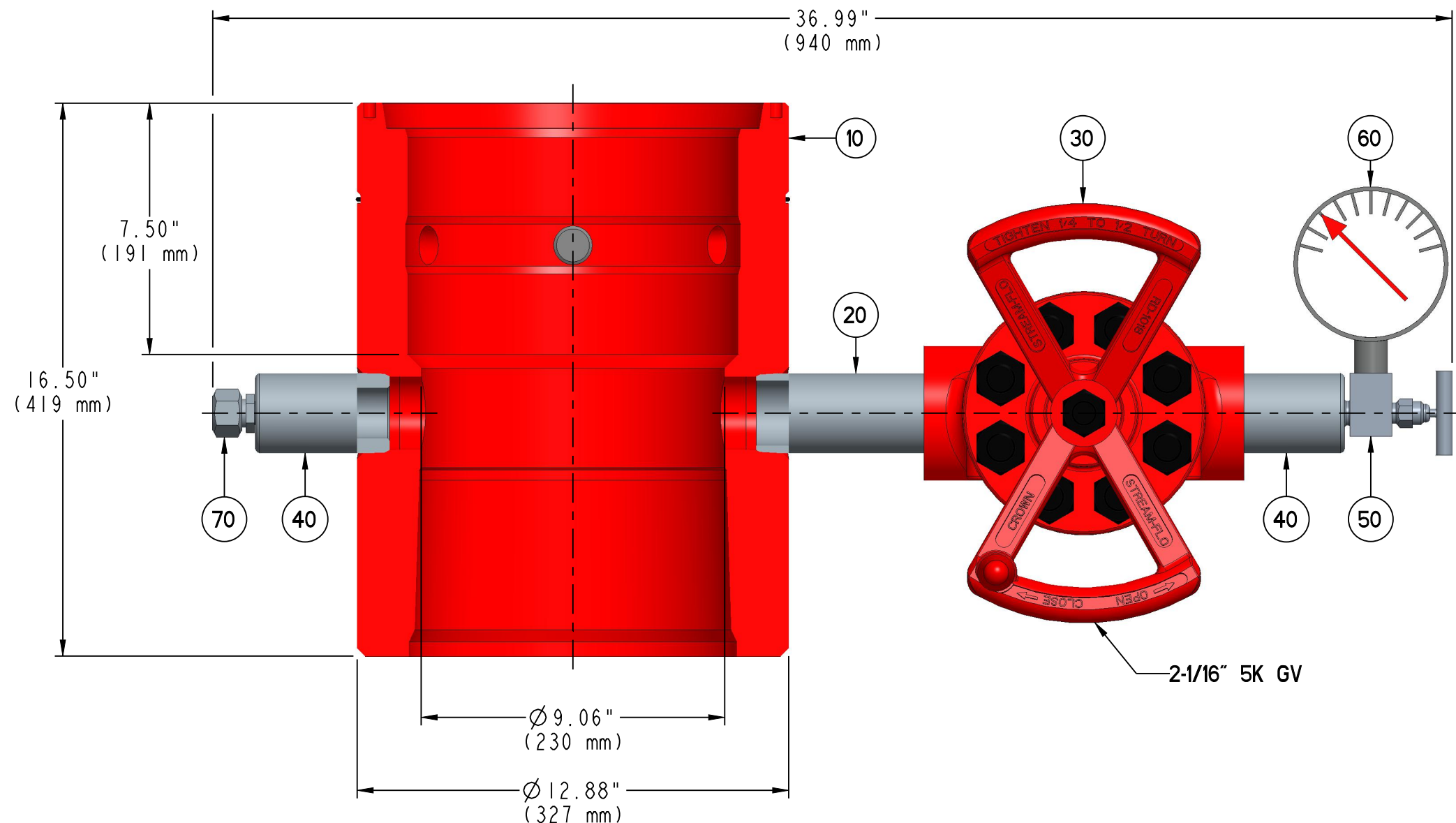
THIS DOCUMENT IS A PROPERTY OF  
STREAM-FLO INDUSTRIES LTD. AND  
NOT TO BE USED IN ANY WAY  
PREJUDICIAL TO THEIR INTERESTS.  
ALL PROPRIETARY RIGHTS RESERVED.



PART NUMBER 30204040 (LEGACY PART: 90024036)	HEAT TREAT	MATERIAL		WEIGHT APPROX	YPF ARGENTINA CATALOG DRAWING CASING HEAD ASSEMBLY HES RSC 11" TOP X 9-5/8" LONG CASING BOTTOM, TWO 2" LINE PIPE SIDE OUTLETS AND ONE 2" LINE PIPE GATE VALVE	DWG. No. RB-42900
		SPEC	DWG No	410 lbs		
				SCALE 0.250		REV: 0 SHEET 2 OF 2

LISTA DE MATERIALES

ARTICULO	NUMERO DE PARTE	DESCRIPCION	CANT.
10	30016962	CASING HEAD HES 11 RSC SUPERIOR X 9-5/8 LONG CASING INFERIOR Y DOS SALIDAS LATERALES 2 LINE PIPE; 9.06 BORE; 16.50 LONG; 9.875 DE DIAMETRO DE SELLO 5000 psi; API 6A PUA PSL-1 PRI *USE CON RT: HE-RTIIRSCX958LTC-00	1
20	10008183	NIPLE SIN COSTURA 2" NPT MACHO X MACHO 6" DE LONGITUD XXH SEGUN ASTM A106 GR B	1
30	30001273	VALVULA ESCLUSA EXTREMOS ROSCADOS 2-1/16 API 5000, 2 LP, API 6A LUDD-NL PSL-1 PRI	1
40	10003555	BULLPLUG 2" LP X 1/2" NPT XXH 5000 psi ACERO AL CARBONO CON PROTECCION DE PELICULA SECA	2
50	10008356	VALVULA AGUJA 1/2 NPT 90 GRADOS MACHO-HEMBRA 10000 psi ACERO AL CARBONO	1
60	10006146	MANOMETRO DE ESCALA DUAL 0-3000 psi CONEXION 1/2" NPT ACERO INOXIDABLE CON RELLENO DE SILICONA	1
70	10006178	GRASERA 1/2" NPT AISI 4140 CON TAPON DE VENDEO, RCUBRIMIENTO DE ZINC-COBALTO 10000 psi	1



DWN.	NL	01-10-23	ALL DIMENSIONS IN INCHES UNLESS OTHERWISE NOTED: .X +/- .1 .XX +/- .02 .XXX +/- .005	ANGLE +/- 1/2° RADIUS .05 T.I.R. .010
CHCK.	VN	01-10-23		
APPR.	RM	01-11-23		
REV.	EC	BY		

THIS DOCUMENT IS A PROPERTY OF  
STREAM-FLO INDUSTRIES LTD. AND  
NOT TO BE USED IN ANY WAY  
PREJUDICIAL TO THEIR INTERESTS.  
ALL PROPRIETARY RIGHTS RESERVED.

4505 - 74 AVE.  
EDMONTON, ALTA.  
CANADA