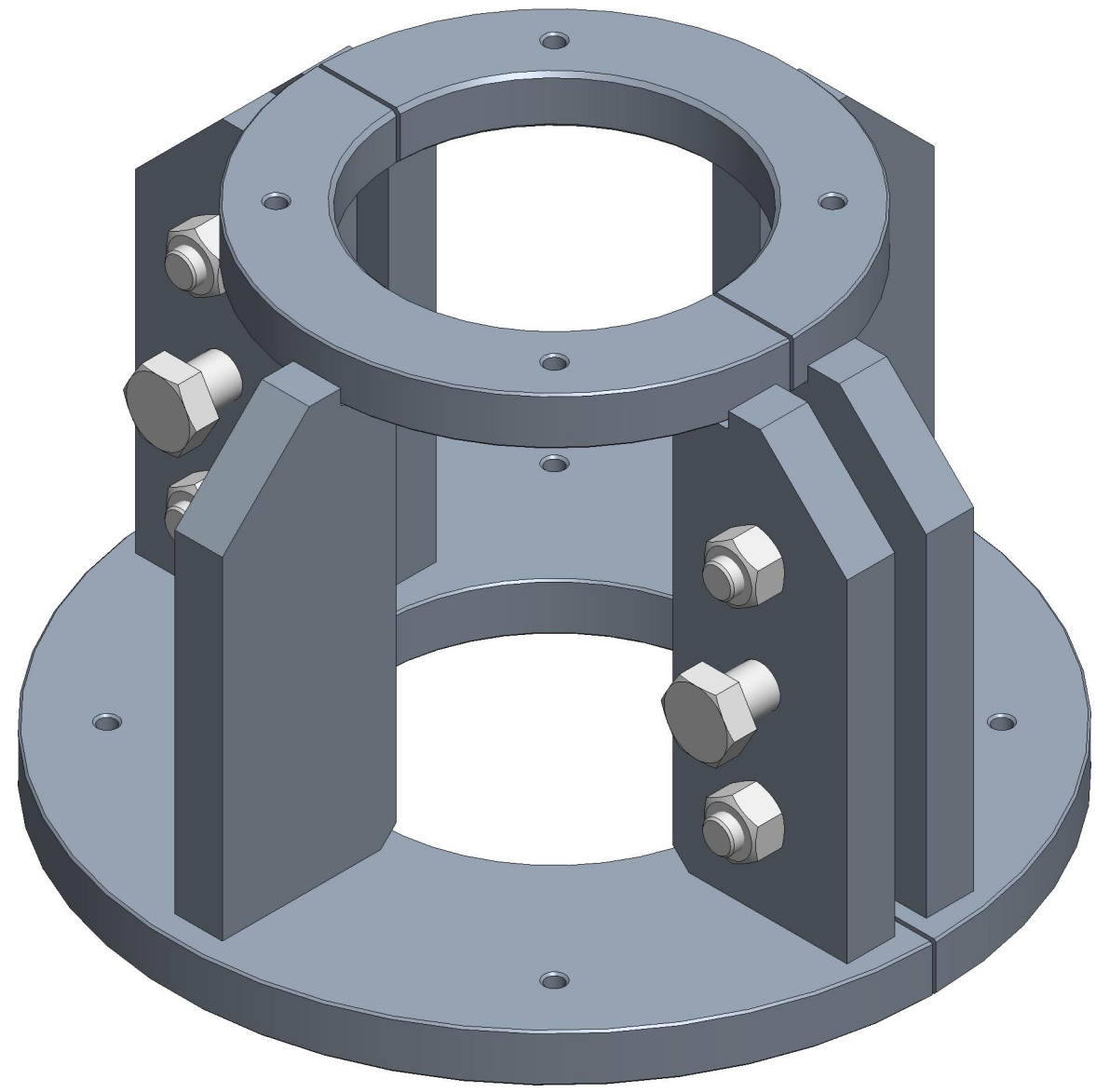
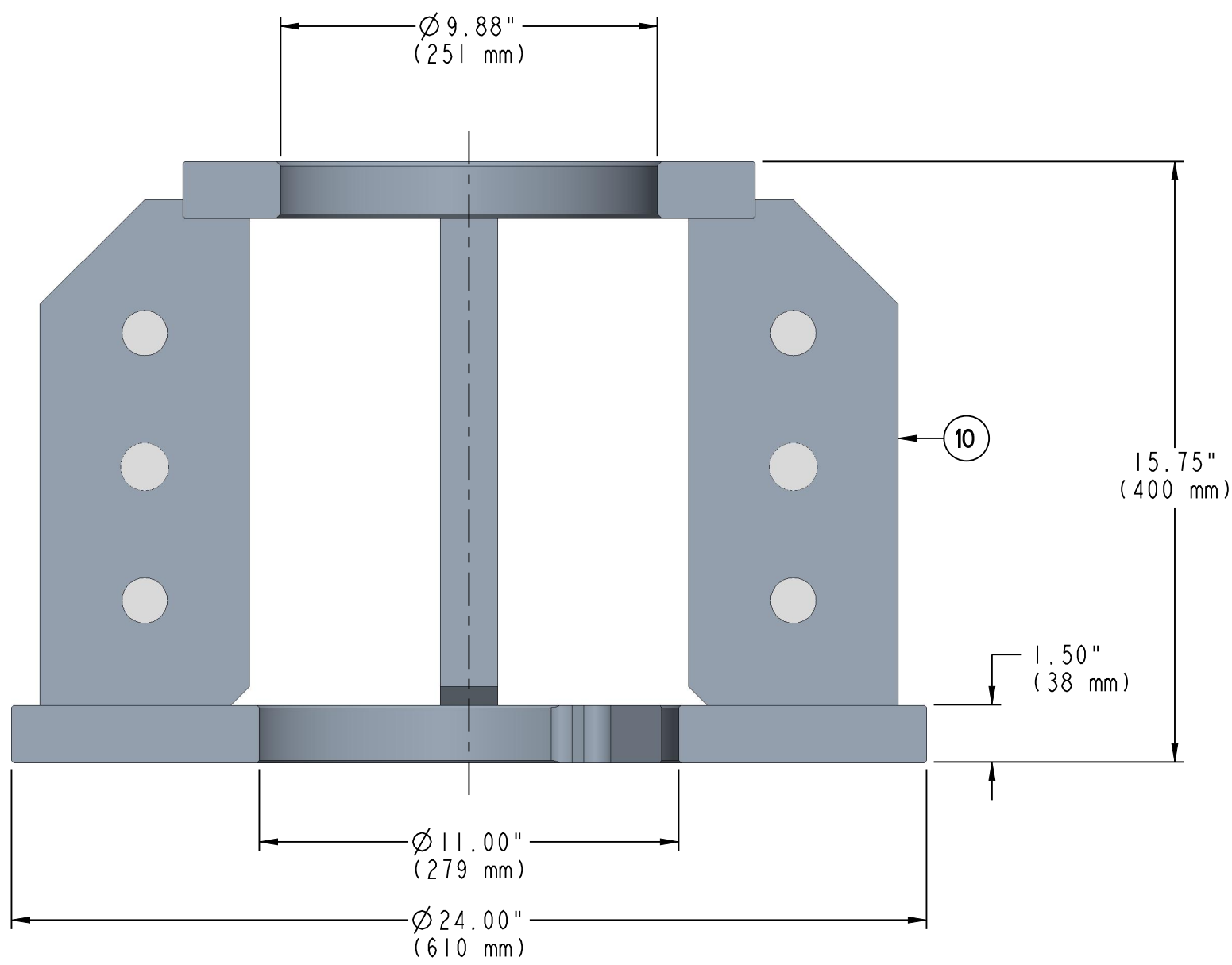


PART NUMBER 30203252 (LEGACY PART: LB-958CSGX24-01)	HEAT TREAT	MATERIAL		WEIGHT APPROX 372 lbs SCALE 0.250	LANDING BASE ASSEMBLY, SPLIT AND REUSABLE, 24.00" OD X 9.88" ID X 15.75" LONG WITH 150" THICK BOTTOM PLATE AND SIX RIBS FOR USE WITH CASING HEAD WITH 9-5/8" BOTTOM TO LAND ON CELLAR FLOOR	DWG. No. RB-42812
		SPEC	DWG No			REV: 0 SHEET 1 OF 2

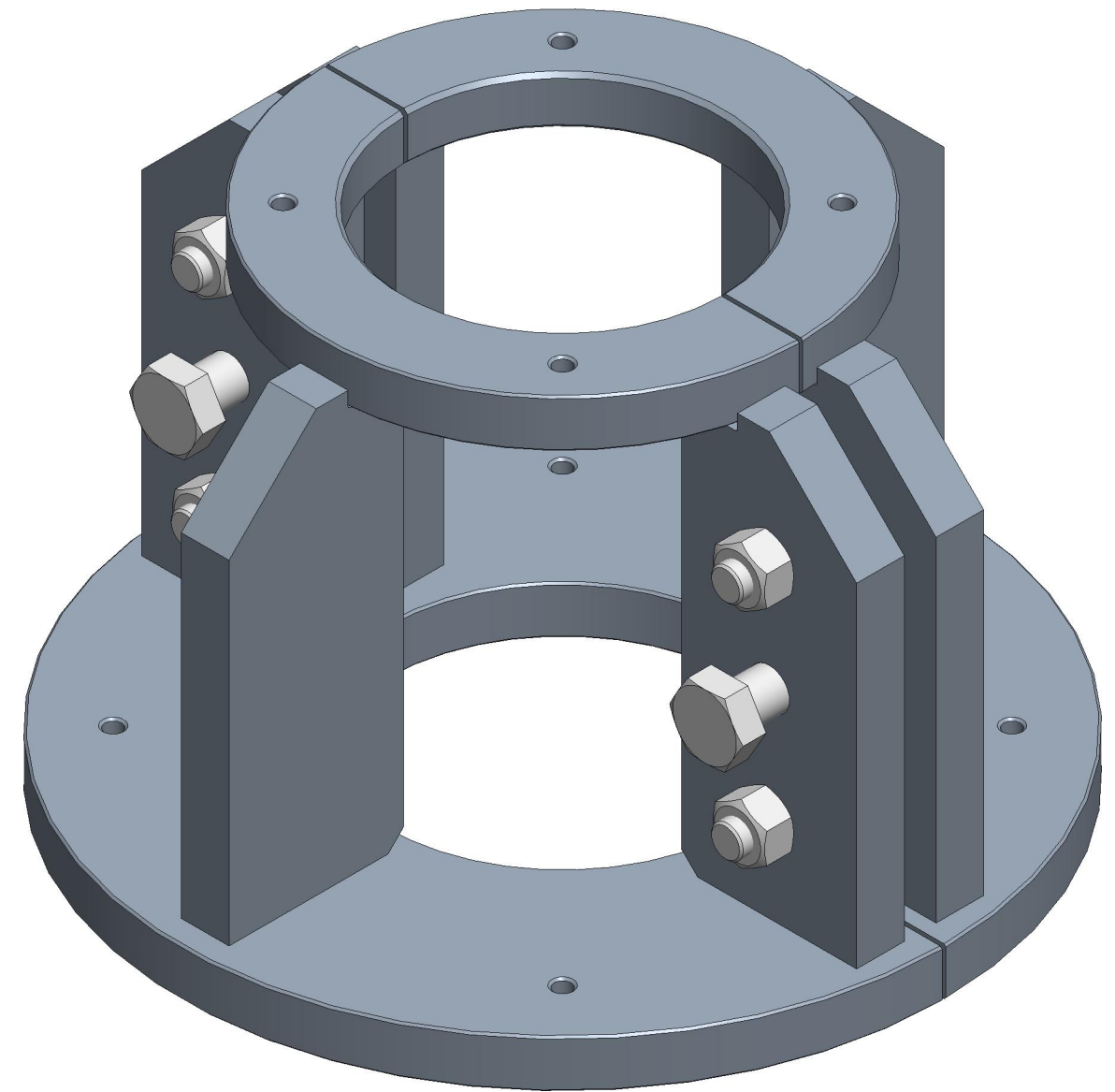
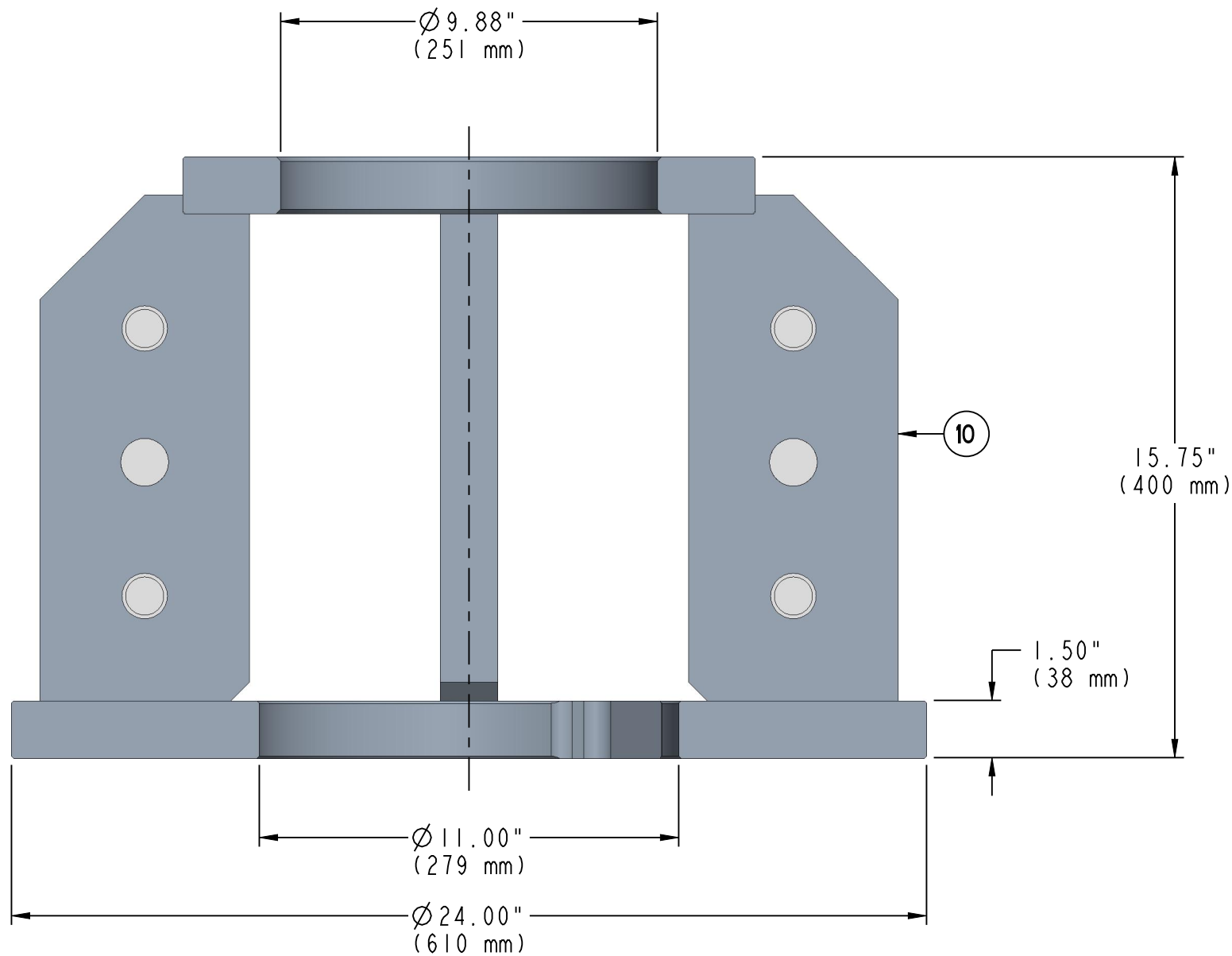
BILL OF MATERIALS			
ITEM	PART NUMBER	DESCRIPTION	QTY
10	30203252	STREAM-FLO CROWN LANDING BASE ASSEMBLY SPLIT AND REUSABLE 24.00 OD X 9.88 ID X 15.75 LONG WITH 1.50 THICK BOTTOM PLATE AND SIX RIBS FOR USE WITH CASING HEAD WITH 9-5/8" BOTTOM TO LAND ON CELLAR FLOOR WITH CEMENT TOP UP SLOTS FOR 16 OR 18 CASING *MAX LOAD 200000 lbs	1



REV.	EC	BY	DATE	DWN.	NL	12-12-22	ALL DIMENSIONS IN INCHES UNLESS OTHERWISE NOTED: .X +/- .1 .XX +/- .02 .XXX +/- .005 ANGLE +/- 1/2° RADII .05 T.I.R. .010	THIS DOCUMENT IS A PROPERTY OF STREAM-FLO INDUSTRIES LTD. AND NOT TO BE USED IN ANY WAY PREJUDICIAL TO THEIR INTERESTS. ALL PROPRIETARY RIGHTS RESERVED.	4505 - 74 AVE. EDMONTON, ALTA. CANADA
				CHCK.	JG	12-12-22			
				APPR.	RM	01-06-23			

PART NUMBER 30203252 (LEGACY PART: LB-958CSGX24-01)	HEAT TREAT	MATERIAL		WEIGHT APPROX 372 lbs SCALE 0.250	LANDING BASE ASSEMBLY, SPLIT AND REUSABLE, 24.00" OD X 9.88" ID X 15.75" LONG WITH 150" THICK BOTTOM PLATE AND SIX RIBS FOR USE WITH CASING HEAD WITH 9-5/8" BOTTOM TO LAND ON CELLAR FLOOR	DWG. No. RB-42812
		SPEC	DWG No			REV: 0 SHEET 2 OF 2

LISTA DE MATERIALES			
ARTICULO	NUMERO DE PARTE	DESCRIPCION	CANT.
10	30203252	CONJUNTO DE BASE DE APOYO PARTIDA DESMONTABLE STREAM-FLO CROWN 24.00 DE X 9.88 DI X 15.75 LARGO CON PLACA BASE DE 1.50 DE ESPESOR Y SEIS ALETAS PARA SER USADO CON CASING DE 9-5/8 APOYANDO EN PISO DE BODEGA INCLUYE PASAJES PARA CEMENTACION SUPERIOR "TOP JOB" APTO PARA CASING CONDUCTOR DE 16 O 18 *MAX CARGA ADMISIBLE 200000 lbs	1



REV.	EC	BY	DATE	DWN.	NL	12-12-22	ALL DIMENSIONS IN INCHES UNLESS OTHERWISE NOTED: .X +/- .1 .XX +/- .02 .XXX +/- .005 ANGLE +/- 1/2° RADII .05 T.I.R. .010		THIS DOCUMENT IS A PROPERTY OF STREAM-FLO INDUSTRIES LTD. AND NOT TO BE USED IN ANY WAY PREJUDICIAL TO THEIR INTERESTS. ALL PROPRIETARY RIGHTS RESERVED.	4505 - 74 AVE. EDMONTON, ALTA. CANADA
				CHCK.	JG	12-12-22				
				APPR.	RM	01-06-23				