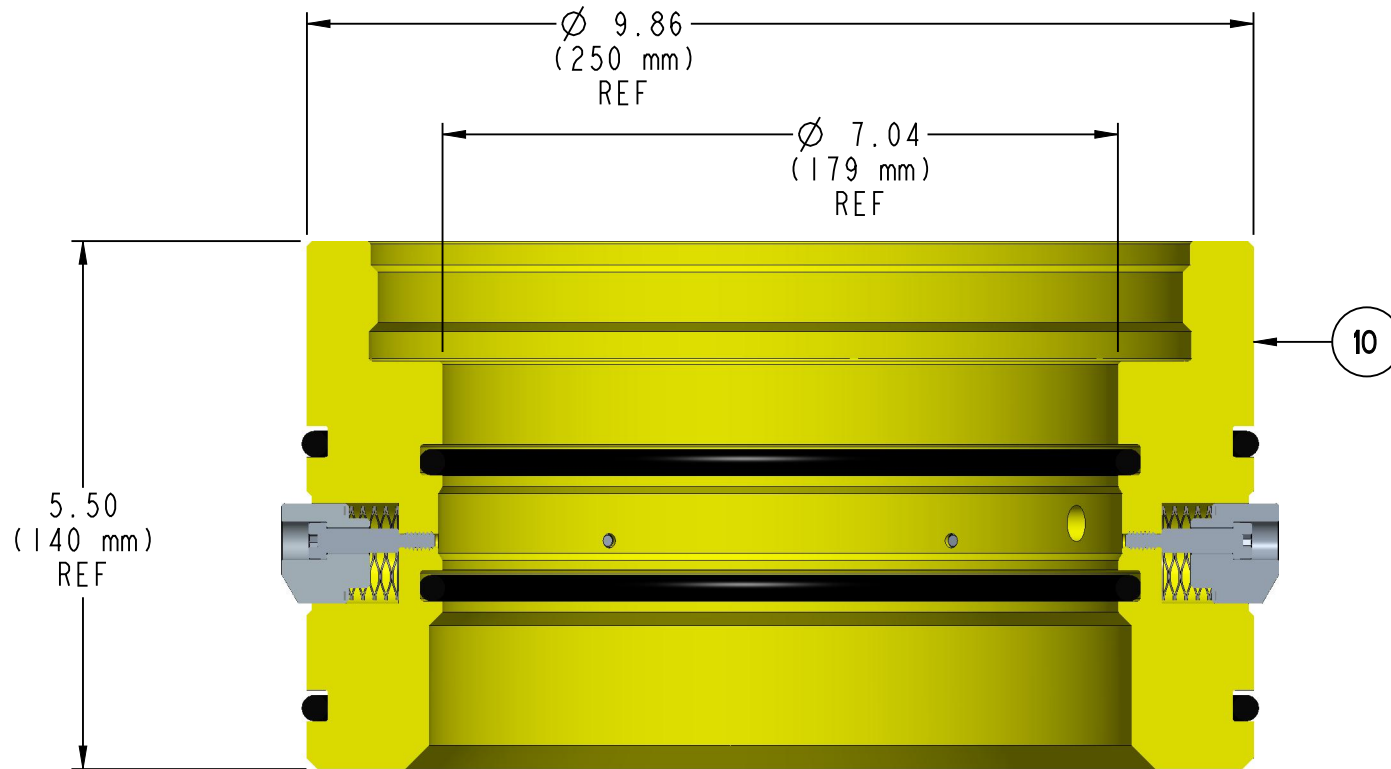



BILL OF MATERIALS

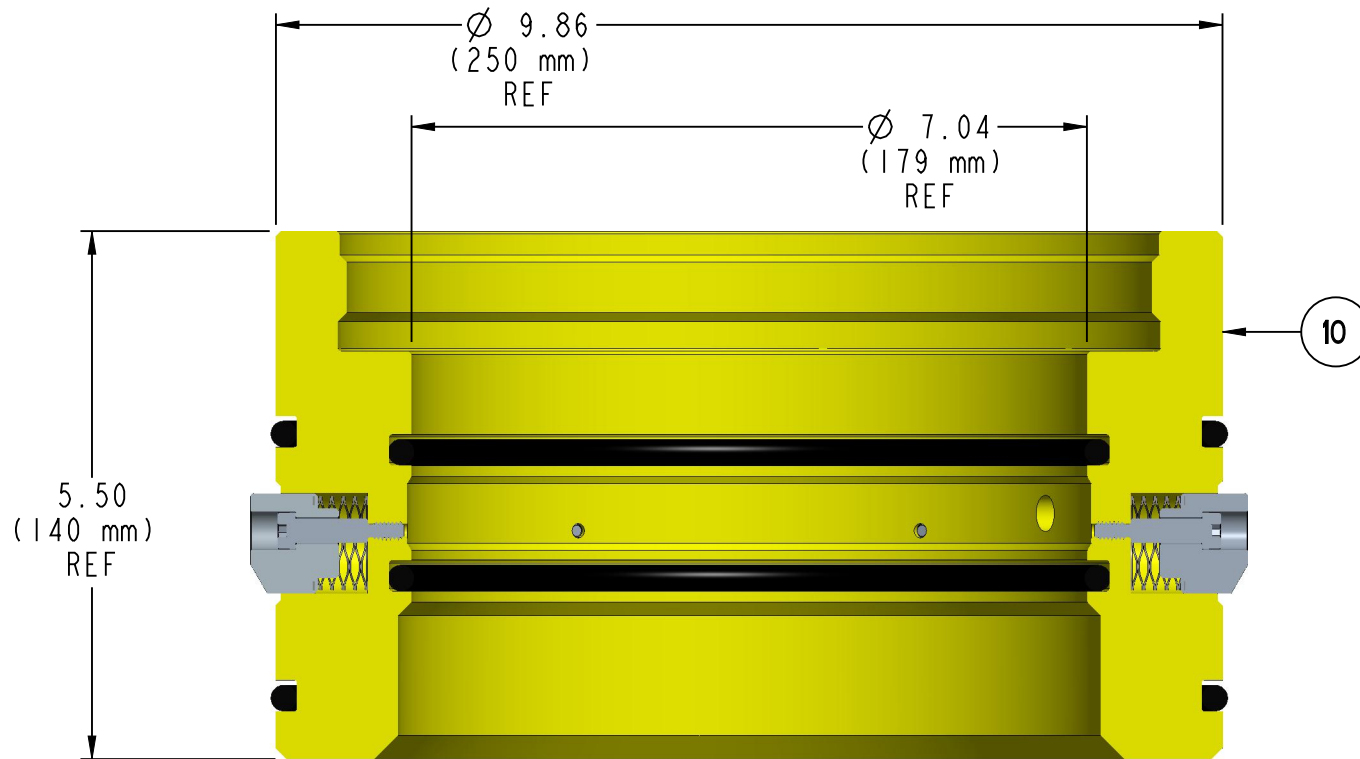
ITEM	MATERIAL NUMBER	DESCRIPTION	QTY
10	30017181	PRIMARY PACKOFF HES 11 NOMINAL 8.500-4 STUB ACME-2G LH RUNNING THREAD DUAL O-RINGS ON OD AND ID FOR FLUTED MANDREL HANGER WITH 7.020 DIAMETER EXTENDED NECK WITH SIX LOCKING PINS 5000 PSI RWP FROM ABOVE 3000 PSI RWP FROM BELOW API 6A PUDD PSL-2 PR2	1




YPF ARGENTINA 11" 3000 HE WELLHEAD SYSTEM 7" PACKOFF ASSEMBLY	DWN	KBF	03-23-22	 Worldwide Expertise - Global Strength	DRAWING NO WH-23457
	CHK				
	APP				
		BY	DATE		
WH-24427	Commonspace	7700	PRJ-7700-WH-23314_R1	WH-23457	

LISTA DE MATERIALES

ARTICULO	NUMERO DE PARTE	DESCRIPCION	CANT.
10	30017181	PACKOFF PRIMARIO HES 11 NOMINAL CON ROSCA DE MANIOBRA 8.500-4 STUB ACME-2G LH SELLO DUAL EXTERNO E INTERNO PARA COLGADOR MANDRIL CON PASAJES CON CUELLO EXTENDIDO DE 7.020 DIA METRO Y PINES DE RETENCION 5000 PSI PRESION DE TRABAJO (3000 PSI INFERIOR) API 6A PUDD PSL-2 PR2	1



YPF ARGENTINA 11" 3000 HE WELLHEAD SYSTEM 7" PACKOFF ASSEMBLY	DWN	KBF	03-23-22	 Worldwide Expertise - Global Strength	DRAWING NO WH-23457
	CHK				
	APP				
		BY	DATE		
WH-24427	Commonspace	7700	PRJ-7700-WH-23314_R1	WH-23457	