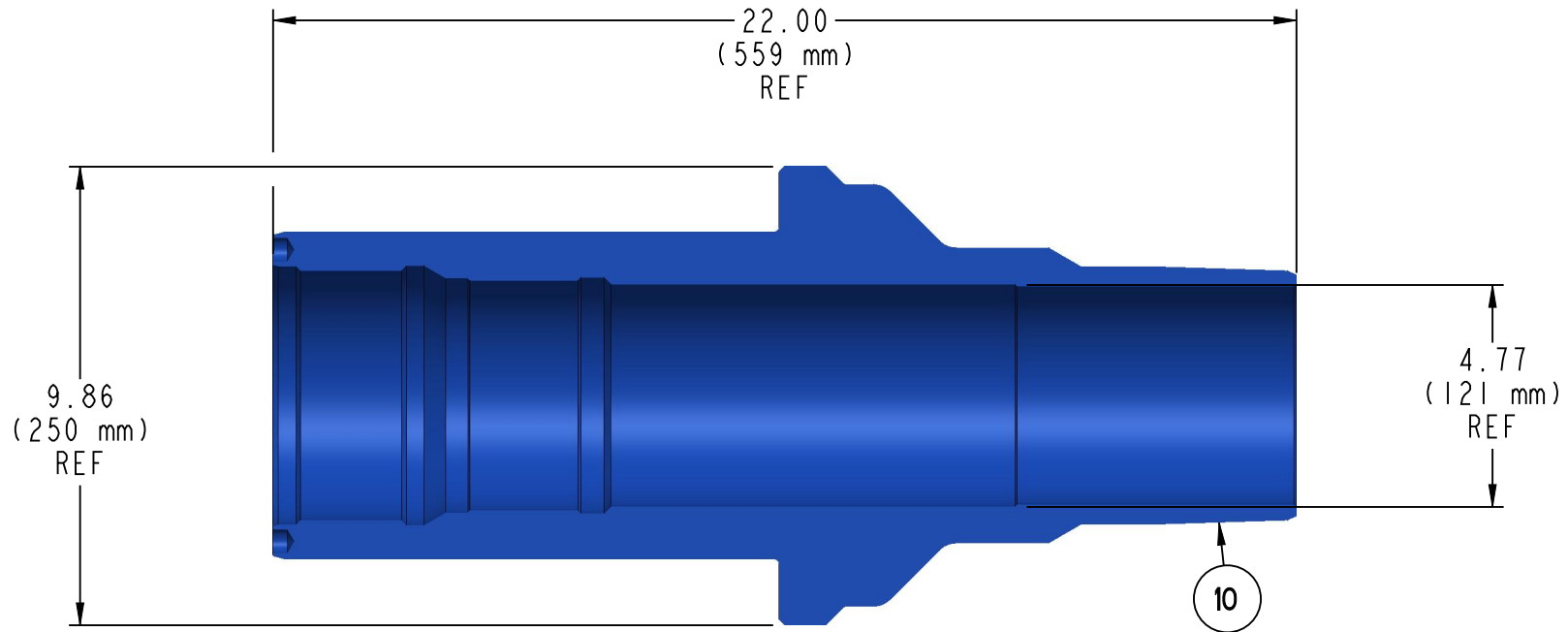



BILL OF MATERIALS

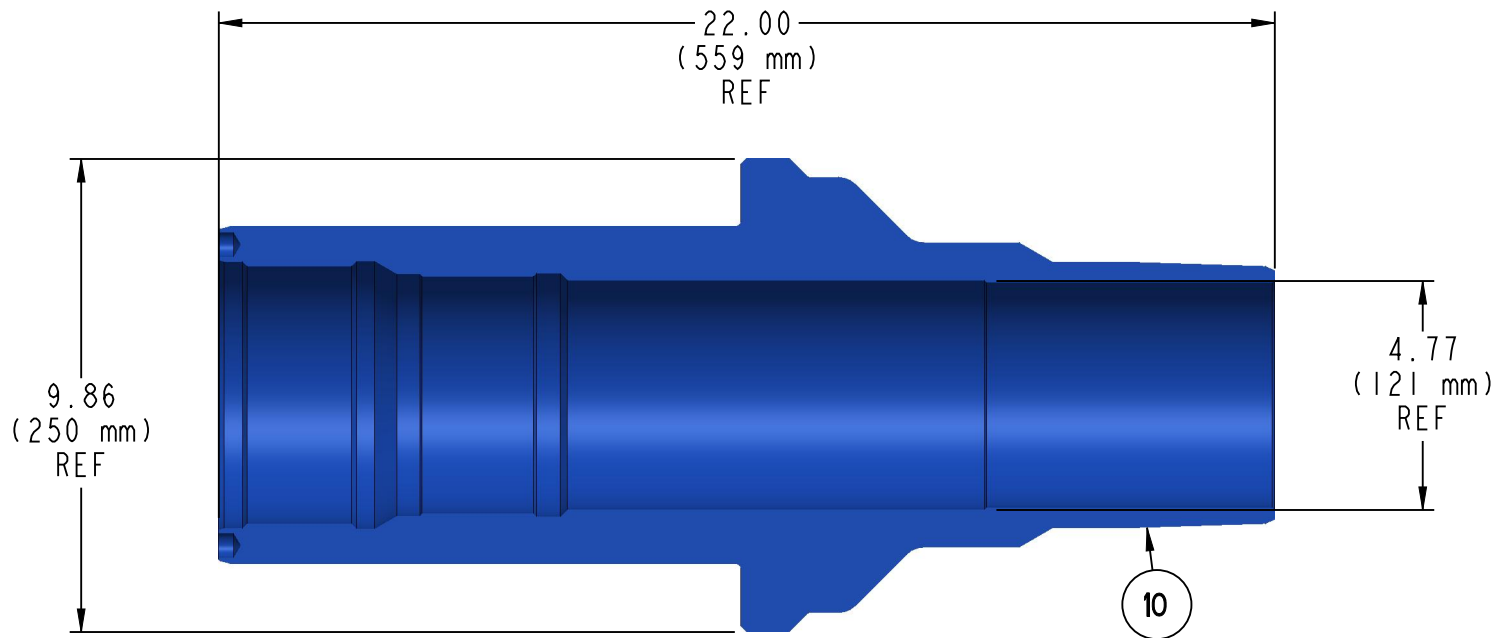
ITEM	MATERIAL NUMBER	DESCRIPTION	QTY
10	30202168	CASING HANGER MANDREL HES 11 NOMINAL X 5-1/2 LONG CASING PIN BOTTOM (23 lb/ft) X 5.500-4 STUB ACME-2G RH BOX LIFT THREAD 5 TYPE H BPV THREAD 7.020 DIAMETER X 4.38 EFFECTIVE LENGTH SLICK EXTENDED NECK 9.055 DIAMETER CENTRALIZER SIX FLUTES 4.67 BORE API 6A PUA PSL-1 PR2	1




YPF ARGENTINA 11" 3000 HE WELLHEAD SYSTEM 5-1/2" CASING HANGER	DWN	KBF	03-24-22	 Worldwide Expertise - Global Strength	DRAWING NO WH-23454
	CHK				
	APP				
		BY	DATE		
WH-24427	Commonspace	7700	PRJ-7700-WH-23314_R1	wh-23454	

LISA DE MATERIALES

ARTICULO	NUMERO DE PARTE	DESCRIPCION	CANT.
10	30202168	COLGADOR DE CASING CASING MANDRIL HES 11 NOMINAL X 5-1/2 LONG CASING PIN BOTTOM (23 lb/ft) X 5.500-4 STUB ACME-2G RH PIN ROSCA DE MANIOBRA; 7.020 DIAMETRO X 4.38 LONGITUD EFECTIVA DE CUELLO EXTENDIDO Y CENTRALIZADOR CON SEIS PASAJES; 4,67 BORE API 6A PUA PSL-1 PR2	1



YPF ARGENTINA 11"3000 HE WELLHEAD SYSTEM 5-1/2" CASING HANGER	DWN	KBF	03-24-22	 Worldwide Expertise - Global Strength	DRAWING NO WH-23454
	CHK				
	APP				
	BY		DATE		
WH-24427	Commonspace	7700	PRJ-7700-WH-23314_R1	wh-23454	