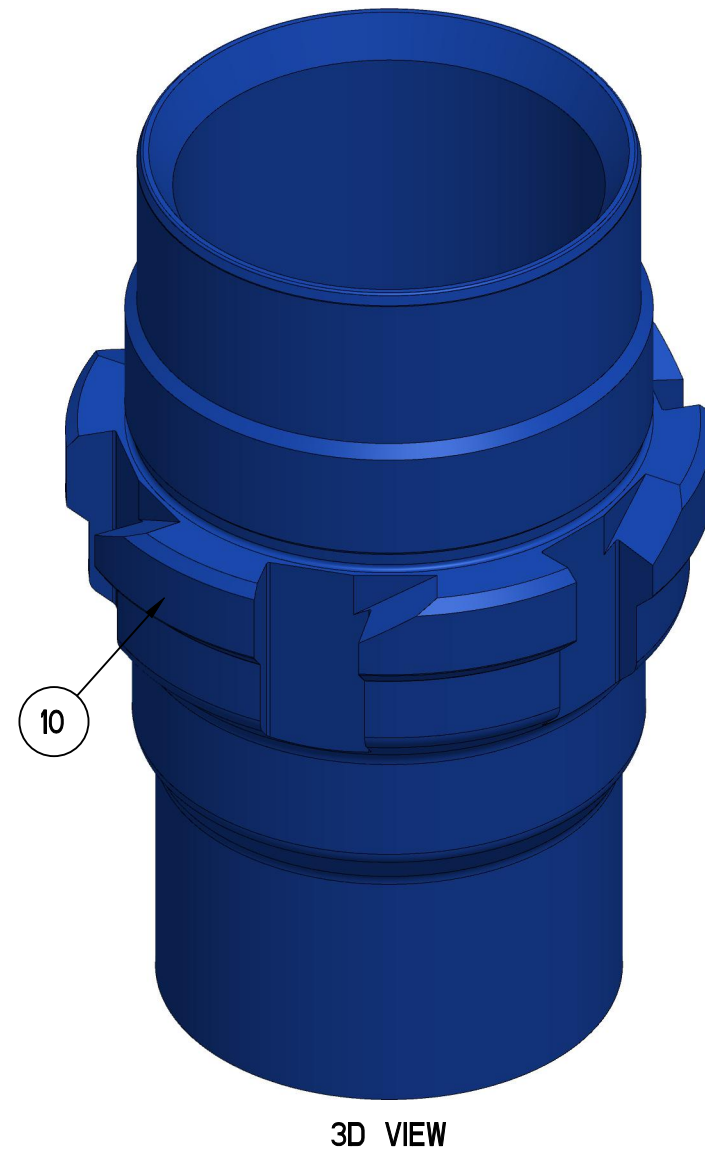
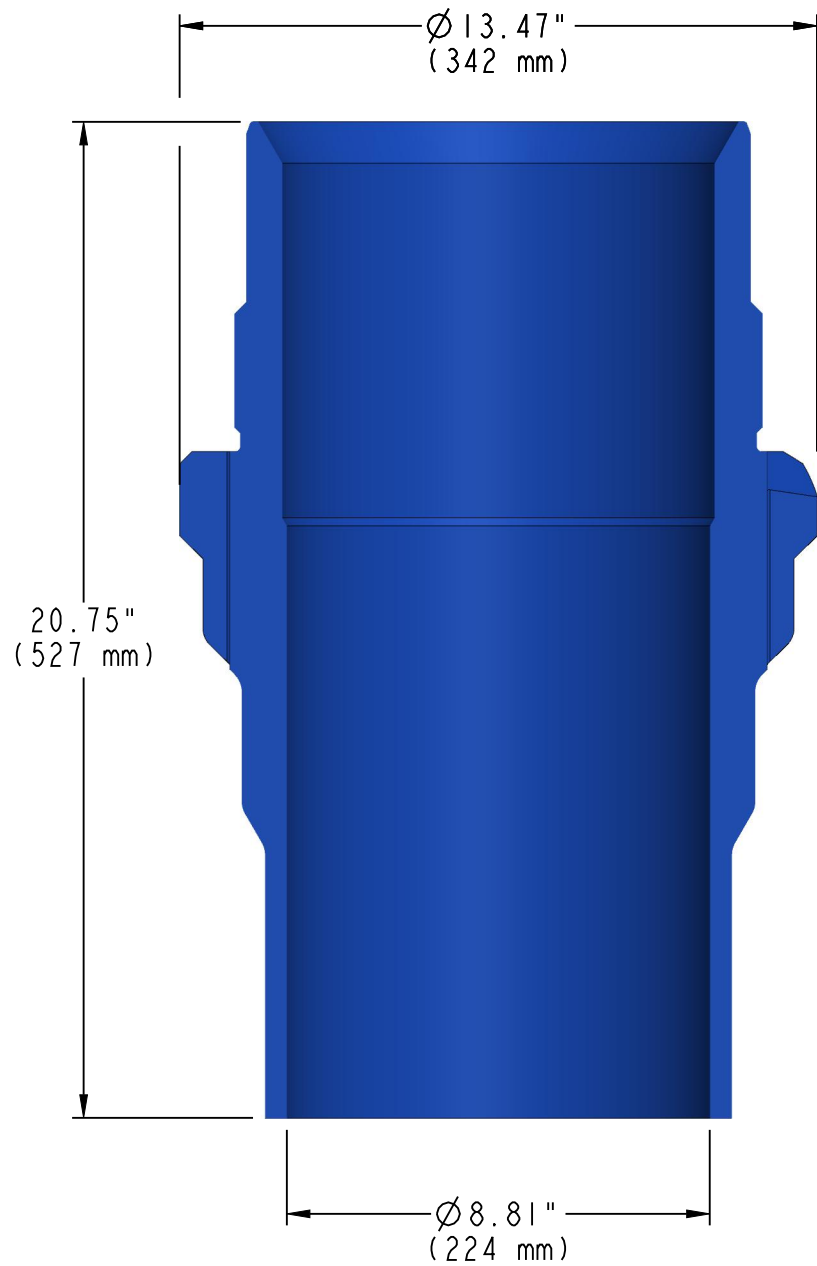


PART NUMBER 30201437 (LEGACY PN: WH-23116)	HEAT TREAT	MATERIAL		WEIGHT APPROX 171 lbs SCALE 0.250	YPF ARGENTINA CATALOG DRAWING CASING HANGER MANDREL (LOWER STRING) DMLX 13-5/8 NOMINAL X BLANK PREPARATION FOR 9-5/8 TENARIS XP BUTTRESS (40 lb/ft) PIN BOTTOM 8.81 BORE 20.75 OAL	DWG. No. RB-42889
		SPEC	DWG No			REV: 0 SHEET 1 OF 2

BILL OF MATERIALS			
ITEM	PART NUMBER	DESCRIPTION	QTY.
10	30201437	STREAM-FLO CROWN CASING HANGER MANDREL (LOWER STRING) DMLX 13-5/8 NOMINAL X BLANK PREPARATION FOR 9-5/8 TENARIS XP BUTTRESS (40 lb/ft) PIN BOTTOM X 11.000-4 STUB ACME-2G PIN TOP 10.500 DIAMETER X 2.06 EFFECTIVE LENGTH EXTENDED NECK WITH SIX FLUTES 8.81 BORE 20.75 OAL 125 ksi MINIMUM YIELD MATERIAL API 6A UAA PSL-2 PRI *MAX LOAD 900000 lbs *RUNNING TOOL 30201438	1



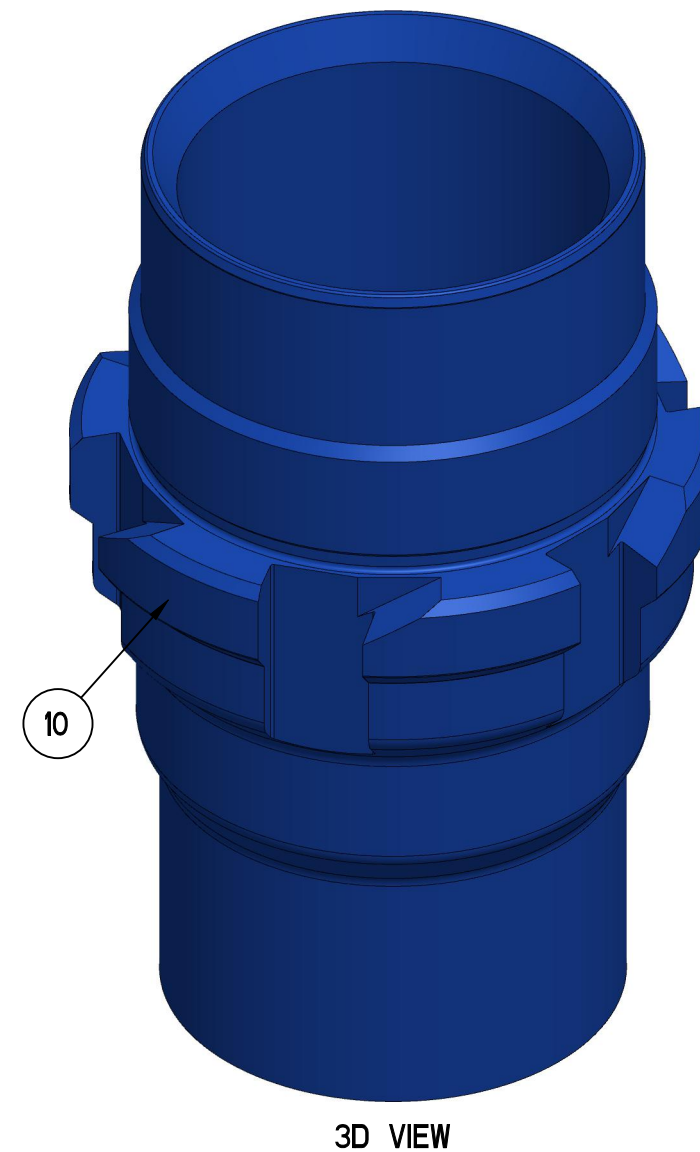
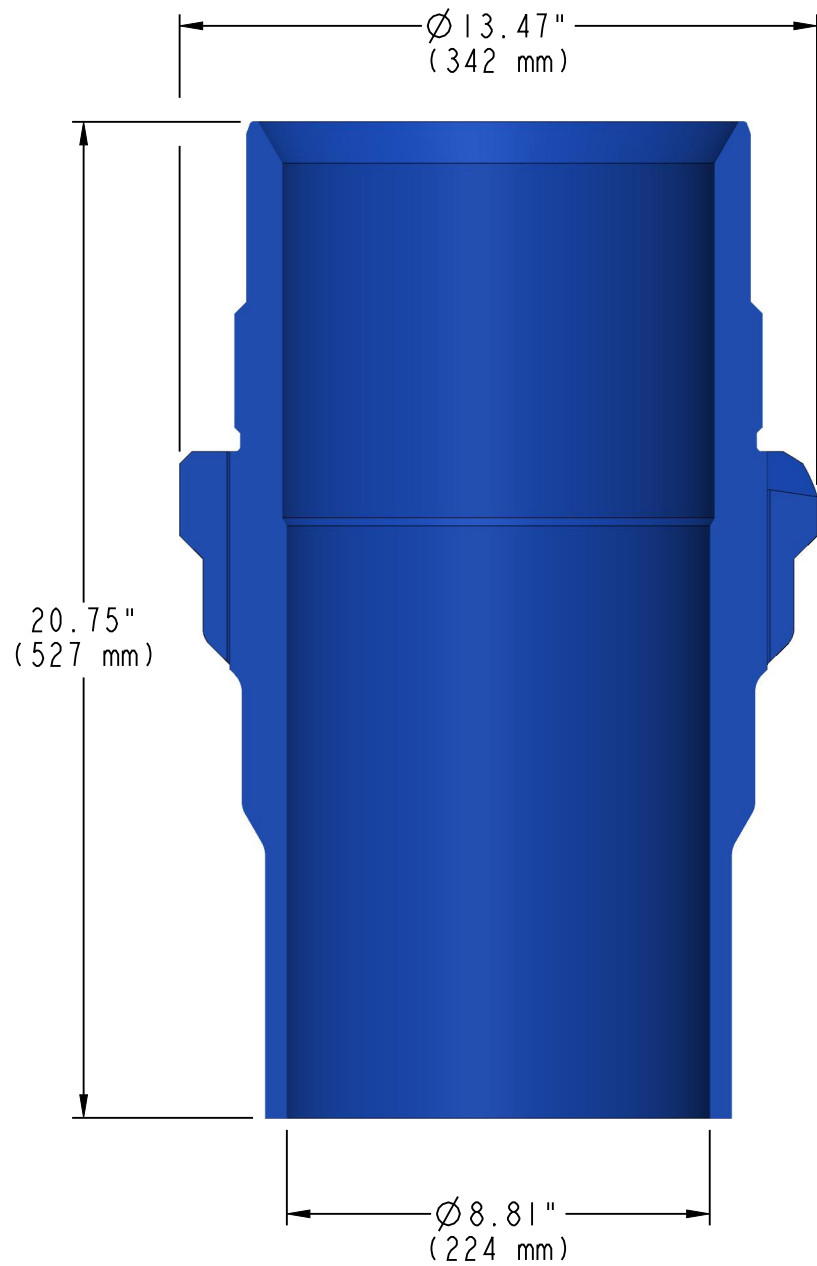
DWN.	ND	02-01-23	ALL DIMENSIONS IN INCHES	
CHCK.	GAK	02-01-23	UNLESS OTHERWISE NOTED:	
APPR.	RM	02-01-23	.X +/- .1	50g
			.XX +/- .02	25g
			.XXX +/- .005	12g
REV.	EC	BY	DATE	BY
				DATE

THIS DOCUMENT IS A PROPERTY OF STREAM-FLO INDUSTRIES LTD. AND NOT TO BE USED IN ANY WAY PREJUDICIAL TO THEIR INTERESTS. ALL PROPRIETARY RIGHTS RESERVED.

4505 - 74 AVE.
EDMONTON, ALTA.
CANADA

PART NUMBER 30201437 (LEGACY PN: WH-23116)	HEAT TREAT	MATERIAL		WEIGHT APPROX 171 lbs SCALE 0.250	YPF ARGENTINA CATALOG DRAWING CASING HANGER MANDREL (LOWER STRING) DMLX 13-5/8 NOMINAL X BLANK PREPARATION FOR 9-5/8 TENARIS XP BUTTRESS (40 lb/ft) PIN BOTTOM 8.81 BORE 20.75 OAL	DWG. No. RB-42889
		SPEC	DWG No			

LISTA DE MATERIALES			
ARTICULO	NUMERO DE PARTE	DESCRIPCION	CANT.
10	30201437	COLGADOR DE CASING STREAM-FLO CROWN DMLX 13-5/8" NOMINAL CON PREPARACION CIEGA APTA PARA ROSCAR 9-5/8 TENARIS XP BUTTRESS 40# PIN INFERIOR Y ROSCA DE MANIOBRA 11.000-4 STUB ACME-2G PIN SUPERIOR; 10,50" DE Y CUELLO EXTENDIDO DE 2,06" DE LARGO. INCLUYE 6 CANALES DE CIRCULACION. 8,81 BORE; MATERIAL 125 ksi FLUENCIA MINIMA 900000lbs DE CARGA MAXIMA *USE CON RT 30201438* API 6A U/AA/PSL-2/PR-1	1



REV.	EC	BY	DATE	DWN.	ND	02-01-23	ALL DIMENSIONS IN INCHES UNLESS OTHERWISE NOTED: .X +/- .1 50g .XX +/- .02 25g .XXX +/- .005 12g	ANGLE +/- 1/2° RADII .05 T.I.R. .010	THIS DOCUMENT IS A PROPERTY OF STREAM-FLO INDUSTRIES LTD. AND NOT TO BE USED IN ANY WAY PREJUDICIAL TO THEIR INTERESTS. ALL PROPRIETARY RIGHTS RESERVED.	4505 - 74 AVE. EDMONTON, ALTA. CANADA
				CHCK.	GAK	02-01-23				
				APPR.	RM	02-01-23				