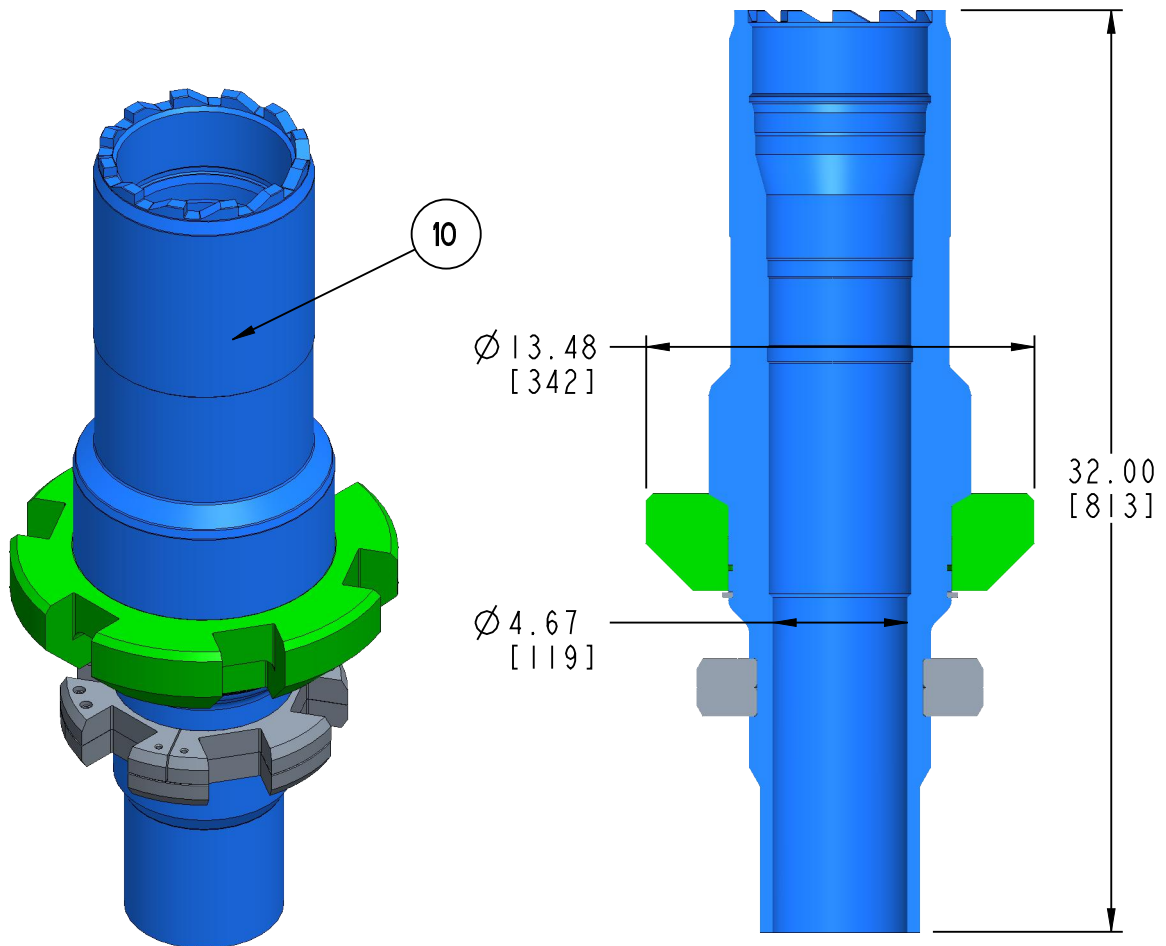



LISTA DE MATERIALES

ARTICULO	NUMERO DE PARTE	DESCRIPCION	CANT.
10	30203235	COLGADOR DE CASING TIPO MANDRIL STREAM-FLO CROWN DMLX 13-5/8 NOMINAL X 6.250-4 STUB ACME-2G RH BOX SUPERIOR X 5-1/2 APTO PARA ROSCA 23 lb/ft TENARISHYDRIL WEDGE 563 Y PREPARACION PARA ROSCA BPV H 7.70 DIAMETER X 6.00 CUELLO EXTENDIDO 4.66 BORE 32.00 LARG; MATERIAL 125 ksi MINIMO API 6A LUAA PSL-3 PRI	1



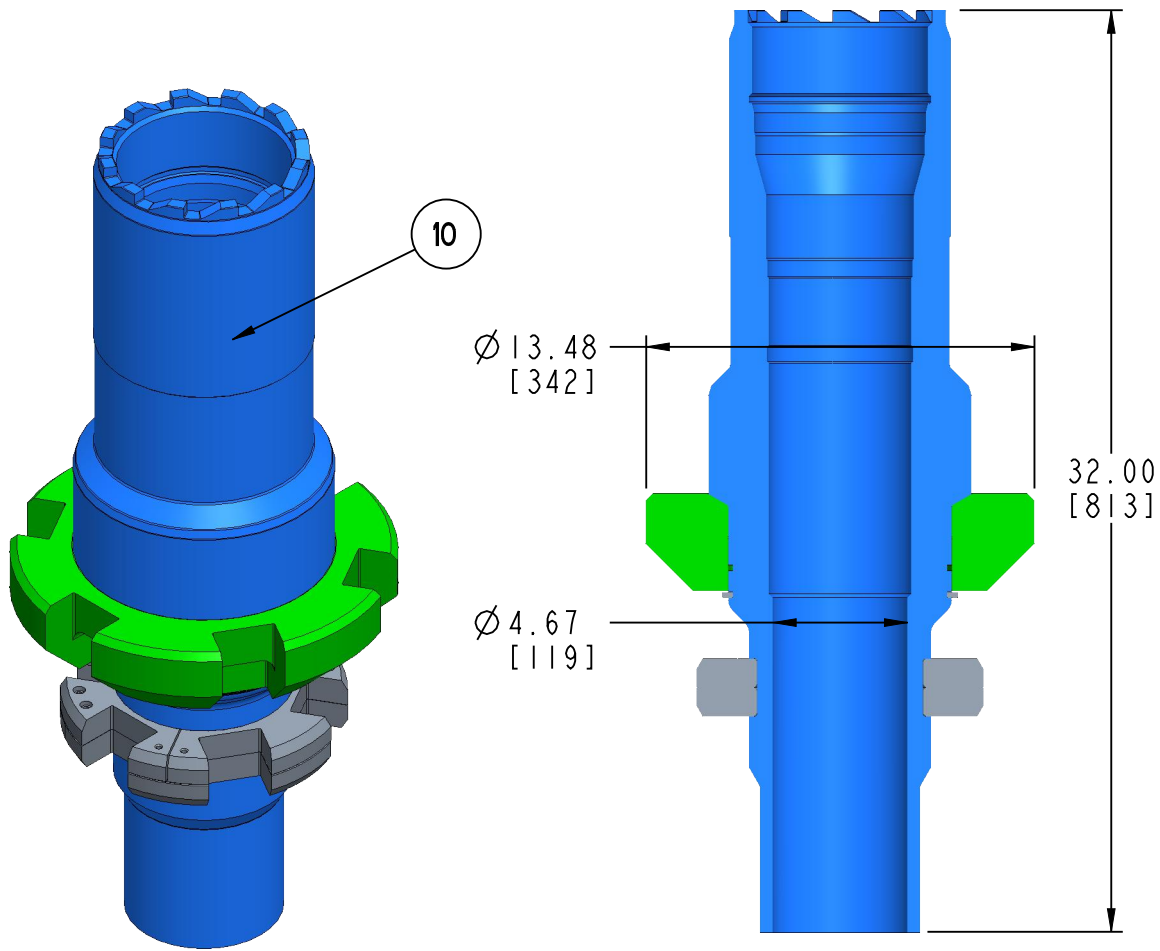
NOTAS:

1. LA LONGITUD DE LA UNIDAD POR DEFECTO ES EN PULGADAS.
2. LA LONGITUD DE LA UNIDAD PREDETERMINADA EN [] SON MILÍMETROS.

YPF ARGENTINA 13" DMLX WELLHEAD SYSTEM 5-1/2" FLUTED MANDREL HANGER W563 23.00 LB/FT 125 KSI MIN YIELD LUAA PSL-3 PRI	DWN	KBF	08-15-22		DRAWING NO
	CHK	CWB	08-16-22		WH-23974
	APP				REV. 0
	BY		DATE		SHEET 1 OF 2
REFERENCE:	Commonspace	PROJECT #8082	8082-PRJ_WH-23974		

BILL OF MATERIALS

ITEM	PART NUMBER	DESCRIPTION	QTY
10	30203235	STREAM-FLO CROWN CASING HANGER MANDREL (3-STRING OR 4-STRING PRODUCTION) DMLX 13-5/8 NOMINAL X 6.250-4 STUB ACME-2G RH BOX TOP X 5-1/2 BLANK PIN BOTTOM FOR 23 lb/ft TENARISHYDRIL WEDGE 563 THREAD 5 TYPE H BPV THREADS 7.70 DIAMETER X 6.00 EFFECTIVE LENGTH SLICK EXTENDED NECK WITH LOAD SHOULDER RING 4.66 BORE 32.00 LONG 125 ksi MINIMUM YIELD MATERIAL API 6A LUAA PSL-3 PRI	1



NOTES:

1. DEFAULT UNIT LENGTH IS INCHES.
2. DEFAULT UNIT LENGTH IN [] IS MILLIMETERS.

YPF ARGENTINA 13" DMLX WELLHEAD SYSTEM 5-1/2" FLUTED MANDREL HANGER W563 23.00 LB/FT 125 KSI MIN YIELD LUAA PSL-3 PRI	DWN	KBF	08-15-22	 Worldwide Expertise - Global Strength	DRAWING NO
	CHK	CWB	08-16-22		WH-23974 REV. 0 SHEET 2 OF 2
	APP				
		BY	DATE		
REFERENCE:	Commonspace	PROJECT #8082	8082-PRJ_WH-23974		8082-PRJ_WH-23974